

INTERNATIONAL OPENING TOOLS



Necessity Is The Mother Of Invention.



f.l.t.r.: Sascha Wendt, Angelika Wendt, Adalbert Wendt and Enrico Wendt

Company Founder Adalbert Wendt, a skilled tool maker, ran a pipe construction company until 1983.

He particularly liked fast motor bikes at that time. This hobby led to the formation of an own racing team RAU Motorradtechnik at the end of 1983. Racing motor bikes were developed which started in the Superbike class internationally.

The team developed and constructed for renowned German racing drivers, amongst others for Toni Mang. These racing bikes were also licensed for road traffic in a modified version and RAU became a brand name among motorcycle friends. Over the years the business premises and workshops started bursting at their seams and were eventually moved from Cologne to Bergheim-Quadrath-Ichendorf. During this relocation a problem suddenly occurred:



A door on the new premises had to be opened as an emergency opening by a locksmith.

When the expert opened the door rather by force the destroyed door inspired the tinkerer and inventor Adalbert Wendt. He also checked with other locksmith and found out that professionally manufactured and carefully designed opening tools were not available in Europe respectively were designed for the American market.

In autumn 1986 the first opening tool was already patented. It is well known under the name **ZIEH-FIX®** and due to the innovative construction it caused excitement and was a sensation in expert circles. This tool laid the foundation of the company A.Wendt Sicherheits- und Aufsperrtechnik GmbH.

Adalbert Wendt is meanwhile the owner of numerous patents and registered designs.

At the turn of the year 2014/2015 a generational change took place: The senior partner handed over the running of the day-to-day

business to his two sons Enrico and Sascha Wendt.

He is still active in an advisory role in the background and his inventive talent is also still in action. But the philosophy never to rest on one's merits was installed early on in his sons.

Meanwhile they have already used their acquired practical experience for new ideas and projects several times so that there is no end in sight regarding improvement and innovation in this area.

Our slogan:
Security business instead of security risk

The pre-requisite for participation in expert seminars and the purchase of opening tools are not regulated by law, but are set at a very high level by us.

The LOCKMASTER® concept.

Every driver in Germany, who loses his car keys or has a defect remote key knows the problem. Getting a new key can often be quite difficult as modern car keys usually are only distributed or manufactured through authorized garages.

These keys cost between 120 and 300 Euro.

Usually the dealer also needs between 3 days and 4 weeks for this. Using a locksmith as was still possible a few years ago, is no longer an option as locksmith are no longer able to manufacture simple key copies due to modern electronics and immobilizer systems. Also the necessary equipment is quite expensive and the user needs to have at least basic knowledge in the area of car electronics.



Therefore, a new trade has been established in the other European Countries dealing with this problem – the “Automotive Locksmith”.

These experts open vehicles and mill as well as program new keys directly on-site.

Just in Greater London about 1,000 of these expert businesses¹ and similar developments can be seen in Poland, Bulgaria and the Netherlands.

So why is Germany an exception?

In the beginning the manufacturing of a car key for vehicles with an immobilizer system was forbidden in Germany. This ban was abolished about 10 years ago but the customers have not realized this. So the consumer is still under the misguided concep-

tion that only authorized garages can offer this service.

Additionally, the equipment for car key programming is very expensive and therefore, most locksmith shy away from acquiring the necessary equipment.

But: In Germany there are 43.4 million cars (as of 1. January 2013)². According to our own estimation for about 10% of these vehicles either only one key exists or the second key is defect.

Consequently, the market volume is nearly 4.4 million customers. In terms of sales calculated with our current Lockmaster sales the solution of this problem costs 40 Euro on average. If you multiply the 40 Euro with the potential 4.4 million customers a sales volume of 176 million Euro can be reached.

¹ Cf. Google (2013)
² Cf. Kraftfahrt-Bundesamt (2013)

On this basis we have developed an innovative concept, which includes the following basic points:

- **huge brand awareness through well coordinated advertising**
- **large service portfolio beside car keys (e.g. door keys, emergency opening etc.)**
- **fair prices for the user**
- **low franchise fees**
- **the equipment is rented not purchased**
- **territory protection**
- **favorable wholesale prices for expendable items**

Did we spark your interest? – We will gladly provide you with free information material.

Do not hesitate and become a LOCKMASTER® Partner today.

Everything Under One Roof.



Monika Trier, Sales Department, Export
Markus Schucht, Sales Department, Techn. Support, Export
Theodor Schürmann, Chief Instructor
Josef Schumacher, Workshop Manager
Jörg Rühle, Purchasing Department, Support
Michele Derosas, Shipping Department



Adalbert Wendt
Management retired



Angelika Wendt
Management
Chief Financial Officer



Enrico Wendt
Management
Chief Operating Officer



Sascha Wendt
Management
Chief Product Officer

Europe's No. 1 offers one of the most extensive programs of opening tools. It is an assortment of over 1,500 articles and contains apart of our own products selected tools of the world's most important manufacturers. Even for small things a huge selection – That is our strength.

Quality tools are crucial for excellent work, safe handling and more working comfort.

Our technicians combine technical know-how, first-class knowledge and innovative strength. We create high-quality tools based on innovative ideas and developed up to readiness for production.

Since quality is a high priority for our company each of our own products passes through a severe quality control from design to delivery.

CAD, high-quality raw materials, state of the art production technologies, careful end control and tough practical tests – We will vouch for it.

Our employees in the sales office will be at your service with competent advice. Excellent service surrounding our products lets us stand out – Just give us a call.



The multifunctional hall offers space for all important activities.

As a customer you will greatly benefit from our unique experience and competent personal advice. Whatever you want to know about our products – our team will definitely help you. Satisfied customers – That is our most important goal.

Site: Bergheim.

Whether International Hardware Fair, Cologne or In-House Fair, Bergheim – Insiders can be seen everywhere.



Finally our shipping department will arrange shipment of the goods. The modern, computer-assisted logistic is well-suited to perfectly handle everything from small quantities to large orders. Consignments are checked for completeness and packed carefully to avoid damage during transport. To deliver quickly and completely – That is our main focus.

Wendt In-House-Fair Network Of The Future

We permanently display the most important tools for the different areas of opening technology in our education- and training-centre.

A highlight is our In-House-Fair which takes place at the same time as the International Hardware Fair in Cologne (every 2 years) and has meanwhile reached an international character exactly like the event in Cologne. We establish networks. Leading manufacturers of the metal industry from within the country and abroad display their products at our venue. We offer clients and manufacturers a forum to exchange information and experiences; comprehensively and in a relaxed atmosphere – When can we welcome you?

Silca Key Cutting Machines at Wendt



2014: Our largest supply of Silca mechanical and electronic key cutting machines to a different country.

Apart from lock picking tools a key cutting machine is part of the basic equipment of a locksmith. Therefore, being Europe's largest manufacturer of picking tools and world market leader, we are delighted to have found a strong and reliable partner with the Silca company.

ZIEH-FIX® and Silca – a powerful team

Both companies have represented quality, good service and support in Germany for over 25 years. They do not consider themselves as primarily interested in sales, as some of the competitors, but as partners for locksmith. For this reason we also offer excellent support for key cutting machines.

You can find a topical listing of all models as well as information material in our online shop.

Any questions? – Please call us!

For further queries we will gladly assist you by phone or in writing.

You can reach us Monday to Friday from 8.30 a.m. to 4.30 p.m. CEST by phone 0049-2271-79997-0 or 24/7 by e-mail

info@zieh-fix.com



Pulling, Drilling & Milling

ZIEH-FIX® Tool Kit • ZIEH-FIX® Tool Kit “Bell” • ZIEH-FIX® “Premium” Tool Kit • ZIEH-FIX® Emergency Opening Backpack • Power Pull Cracker • Lock Cracker • ZIEH-FIX® • ZIEH-FIX® “Bell” • ZIEH-FIX® “Premium” • ZIEH-FIX® Pull Screws • ZIEH-FIX® Plug Extractor Plates • Screw-Driving Adapter • Supporting Washer • Cutting- and Lubricating Spray • Ratchet • Bits • Bit-Holder • Multifunktional Key • Universal Keys • Straight Grinder • Burrs • Drill Driver • Drill Bits

Manipulation

Door Latch Opening Cards • Tilting Window Opener • Lever Opening Tool • Door Latch Opening Needles • Door Latch Opening Glider • Cork Screw Door Latch Retractors • Door Handle Tool “Lock-Off” • Padlock Opener • Door Lifting Tools • Lever Picks • Key Turner • Master Key Sets • Picks • Tension Tools • Plug Spinners • Extractors and Sets • Training Locks • Pick Sets • ZIEH-FIX® Electro-Picks • ZIEH-FIX® Pick-Needle Set “Novum” and “Car” • Multipick-System • Bump Keys • Pick Guns • Impressioning Technique • Mould and Casting Technique • Cross Picks • Decoder • Tubular Picks • Magic Keys • Kitbor Chubb Lock Opening Set • Precision Tubular Picks • Hobbs'sche Hooks & 2-in-1 Picks • Decoder for KALE

Equipment, Scopes & Lights

Lockmaster® Buckle • Lockmaster® I.D. Badge Case • Key Files • Vice • Trainingboards • Special Operations Mat • Key Checker • Shims and Shim-Holder • Measuring Tool • “Under Door” Torch • Fiber Optic Light • Light Kit • Borescopes with Battery Handle • Streppel Endoscopes • Hawkeye™ Borescopes • Flexible Micro Endoscopes • Light Sources • Smart Clamp • Camera • Lens Adapters • Scope and Monitor Holder

Safe & Vault

Safe Vibrators • Super Safeman's Kit • Stethoscopes • Forceps • Drill Rigs • Drill Templates • Drill Bits • Safe Opening Tool Kit • Safe & Vault Repair • Knee-Pad • Emergency Safe Dials • Dial Puller • Cutaway Locks • Change Key Set • Auto Dialer • Spikemaster • Wire Tool • Lock Pick for LaGard • Key Decoder for LaGard • Safe Manipulator “TSM” • Hobbs'sche Hooks & 2-in-1 Picks • Decoder for STUV • Decoder for Cawi • Decoder for Mauer • Safe Lock 2-in-1 “Wheel Picks”

Car Opening

Car Openers • Automotive Killer Kits • Universal Hooks • Car Opener Sets and Kits • Car Opening Light • Suction Cup • Air Wedges • Lever Wedges • Auto Wedges • Tension Tools • Gateway™ Tools • Car Power Keys • Tryout Keys • Gun Plug Spinner • Jack Master “Little Joe” • Pick Tool Set “AVP” • Decoder for “TIBBE” • Scope Picks • ZIEH-FIX® “Little Joe” • Turbo Decoder • Master Key Sets • Decoder for VAG and BMW • 2-in-1 Picks and Decoder • Pick Tools • Pick Set “Professional”

Complete Sets, Books & Video

ZIEH-FIX® Opening System “Lockmaster®” • ZIEH-FIX® Opening System “112” • ZIEH-FIX® Emergency Opening Backpack, Modules • Unlocking Tool Box “Fire Brigade” • ZIEH-FIX® Opening System “Basic” Manuals for Opening Techniques: Locks, Safes and Security • Easy Picking • Basic Impressioning • Impressioning • Locks and Keys • Manuals for Safe and Vault • Door Opening Videoproduction on CD-ROM: ZIEH-FIX®, ZIEH-FIX® Extraction Tools, ZIEH-FIX® Electro Pick, Safe & Vault, Car Opening –Wendt I and Wendt II • DVD's Safe Deposit

ZIEH-FIX® Tool Kit (Basic)



- The hard-top case with handle and carrying belt contains the most common use tools for the door opening!
- Basic equipment for locksmiths!
- The tools are arranged in foam-lined interior.



The Tool Kit contains:

Order No.	Description	Quantity
1.2809/B CS	Outdoor Case, black without content	1
1002	ZIEH-FIX®	1
1084-E MPZ	Power Cracker "Master Professional"	1
1003	ZIEH-FIX® Plug Extractor Plate for profile cylinder locks	1
1005-RA.PROX	Proxxon-Speeder Ratchet, width across flats 17 and 19	1
1070	T-bar Screw Driver Tx20	1
1077	Plastic Profile Cylinder Key	1
1085	Door Latch Opening Needle Set	1
1098	Door Latch Opening Card Set	1
1202-10	ZIEH-FIX® Pull Screws "Extra", 4.2 mm diameter	2
1203-10	ZIEH-FIX® Pull Screws "Super", 4.8 mm diameter	2
1204-10	ZIEH-FIX® Pull Screws "Spezial", 5.5 mm diameter	2

Order No. 1104-Z



ZIEH-FIX® Tool Kit "Bell" (Basic)



- The hard-top case with handle and carrying belt contains the most common use tools for the door opening!
- The tools are arranged in foam-lined interior.



The Tool Kit contains:

Order No.	Description	Quantity
1.2809/B CS	Outdoor Case, black without content	1
1005	ZIEH-FIX® "Bell"	1
1084-E MPZ	Power Cracker "Master Professional"	1
1005-RA.PROX	Proxxon-Speeder Ratchet, width across flats 17 and 19	1
1003	Plug Extractor Plate for profile cylinder locks, 14.7 mm diameter	1
1070	T-bar Screw Driver Tx20	1
1077	Plastic Profile Cylinder Key	1
1085	Door Latch Opening Needle Set	1
1098	Door Latch Opening Card Set	1
1200	Supporting Washer for ZIEH-FIX® Pull-Screws	1
1202-10	ZIEH-FIX® Pull Screws "Extra", 4.2 mm diameter	2
1203-10	ZIEH-FIX® Pull Screws "Super", 4.8 mm diameter	2
1204-10	ZIEH-FIX® Pull Screws "Spezial", 5.5 mm diameter	2
1205-10	ZIEH-FIX® Pull Screws "Pittbull", M6 diameter	1

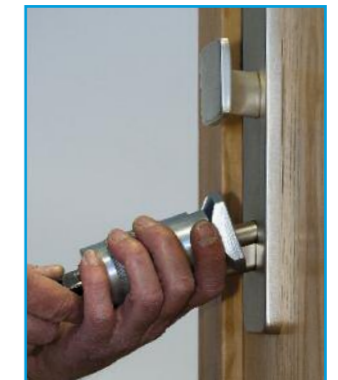
Order No. 1104-G

Special equipment modification for Switzerland:

Contains also the tools as stated above, but instead of Order No. 1084 KIR-PZ and Order No. 1003 the following tools:

1084 M22	Power Cracker "Master Professional", 22 mm diameter	1
1003-CH	Plug Extractor Plate for round cylinder locks, 22 mm dia.	1

Order No. 1104-G-CH



ZIEH-FIX® Tool Kit



ZIEH-FIX® Tool Kit and accessories.

- For round cylinders and profile cylinders, axial plug extraction and tearing apart of the connecting bar possible



The Tool Kit contains:

Order No.	Description	Quantity
1101-K	ZIEH-FIX® Carrying Case, without content	1
1002	ZIEH-FIX®	1
1003	Plug Extractor Plate for profile cylinder locks, 14.7 mm diameter	1
1004	Plug Extractor Plate for round cylinder locks, 16.8 mm diameter	1
1061-E	Cutting- and Lubricating Spray, 100 ml	1
1062	Graphite for Lift Screws	1
1071	T-bar Wrench, short, 17.0 mm	1
0810	Bit-Holder with T-Handle for bits 1/4"	1
1402	Bit Set, 1/4", c/w 9 bits with magnetic bit extension	1
1072	Pointed Pliers, straight	1
1077	Plastic Profile Cylinder Key	1
1202-50	ZIEH-FIX® Pull Screws "Extra", 4.2 mm diameter	1
1203-50	ZIEH-FIX® Pull Screws "Super", 4.8 mm diameter	1
1204-50	ZIEH-FIX® Pull Screws "Spezial", 5.5 mm diameter	1
CD-1001	Video on CD-ROM "ZIEH-FIX® Extraction Tools" (available only in German)	1

Order No. 1101



ZIEH-FIX® Tool Kit "Bell"



ZIEH-FIX® Tool Kit "Bell" and accessories.

- For round cylinders and profile cylinders, axial plug extraction and tearing apart of the connecting bar possible



The Tool Kit contains:

Order No.	Description	Quantity
1105-K	ZIEH-FIX® Carrying Case, without content	1
1005	ZIEH-FIX® "Bell"	1
1003	Plug Extractor Plate for profile cylinder locks, 14.7 mm diameter	1
1004	Plug Extractor Plate for round cylinder locks, 16.8 mm diameter	1
1061-E	Cutting- and Lubricating Spray, 100 ml	1
1062	Graphite for Lift Screws	1
1005-RA.PROX	Proxxon-Speeder Ratchet, width across flats 17 and 19	1
0810	Bit-Holder with T-Handle for bits 1/4"	1
1402	Bit Set, 1/4", c/w 9 bits with magnetic bit extension	1
1072	Pointed Pliers, straight	1
1077	Plastic Profile Cylinder Key	1
1200	Supporting Washer for ZIEH-FIX® Pull-Screws	1
1202-50	ZIEH-FIX® Pull Screws "Extra", 4.2 mm diameter	1
1203-50	ZIEH-FIX® Pull Screws "Super", 4.8 mm diameter	1
1204-50	ZIEH-FIX® Pull Screws "Spezial", 5.5 mm diameter	1
CD-1001	Video on CD-ROM "ZIEH-FIX® Extraction Tools" (available only in German)	1

Order No. 1105



ZIEH-FIX® Tool Kit “Premium”



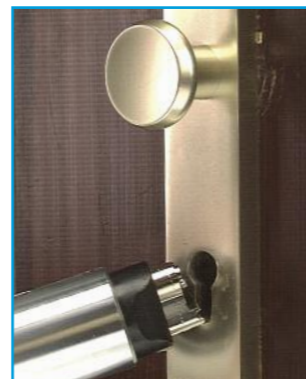
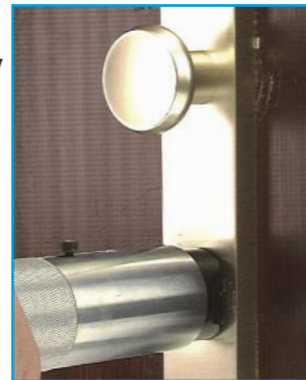
ZIEH-FIX® Tool Kit “Premium” and accessories.

- Plug extraction on profile cylinders as well as tearing apart of the connecting bar possible
- Most powerful extraction tool of our own production

The Tool Kit contains:

Order No.	Description	Quantity
1102-K	ZIEH-FIX® Carrying Case, without content	1
1001	ZIEH-FIX® “Premium”	1
1103	Protection Plate (PVC)	5
1061-E	Cutting- and Lubricating Spray, 100 ml	1
1062	Graphite for Lift Screws	1
0810	Bit-Holder with T-Handle for bits 1/4“	1
1402	Bit Set, 1/4“, c/w 9 bits with magnetic bit extension	1
1072	Pointed Pliers, straight	1
1077	Plastic Profile Cylinder Key	1
1202-50	ZIEH-FIX® Pull Screws “Extra”, 4.2 mm diameter	1
1203-50	ZIEH-FIX® Pull Screws “Super”, 4.8 mm diameter	1
1204-50	ZIEH-FIX® Pull Screws “Spezial”, 5.5 mm diameter	1
CD-1001	Video on CD-ROM “ZIEH-FIX® Extraction Tools” (available only in German)	1

Order No. 1102



Emergency Opening Backpack

Module 1: Tearing with “Bell”

Content:

- 1 pc. Order No. 1005
- 1 pc. Order No. 1005-RA-Prox
- 1 pc. Order No. 1202-10
- 1 pc. Order No. 1203-10
- 1 pc. Order No. 1204-10
- 1 pc. Order No. 1205-10
- 1 pc. Order No. 1003
- 1 pc. Order No. 1004
- 1 pc. Order No. 0810
- 1 pc. Order No. 1402
- 1 pc. Order No. 1077
- 1 pc. Order No. 1200
- 1 pc. Order No. 1061-E



Order No. 112-Notöffnung-M1

Module 2: Tearing with “ZIEH-FIX®”

Content:

- 1 pc. Order No. 1002
- 1 pc. Order No. 1005-RA-Prox
- 1 pc. Order No. 1202-10
- 1 pc. Order No. 1203-10
- 1 pc. Order No. 1204-10
- 1 pc. Order No. 1003
- 1 pc. Order No. 1004
- 1 pc. Order No. 0810
- 1 pc. Order No. 1402
- 1 pc. Order No. 1077
- 1 pc. Order No. 1061-E



Order No. 112-Notöffnung-M2

Module 3: Breaking

Content:

- 1 pc. Order No. 1084-Pull
- 1 pc. Order No. 0810
- 1 pc. Order No. 1402
- 1 pc. Order No. 1077
- 1 pc. Order No. 1061-E



Order No. 112-Notöffnung-M3



Measures: approx. 520 x 400 x 280 mm

- Backpack without content!

Order No. 112-Notöffnung

Power Pull Cracker

This new tool makes a strong connection with the lock and enables a fast breaking off of minimal jutting out locks.

- **Adjustable**
- **With interior profile for a better grip**
- **Additional drill hole makes the use of pull screws possible**



Set contains:

Order No.	Description	Quantity
	Power Pull Cracker	1
1202-10	ZIEH-FIX® Pull Screws "Extra", 4.2 mm diameter	1
1203-10	ZIEH-FIX® Pull Screws "Super", 4.8 mm diameter	1
1204-10	ZIEH-FIX® Pull Screws "Spezial", 5.5 mmdiameter	1
1205-10	ZIEH-FIX® Pull Screws "Pitbull", M6 diameter	1

Order No. 1084-PULL

Power Cracker "Master Professional"

This tool makes a strong connection with the lock and enables a fast breaking off of minimal jutting out locks

- **Adjustable**
- **With interior profile for a better grip**



Order No. 1084-E MPZ

Lock Cracker for Round Cylinders

The Lock Cracker can be used to overwind a round lock cylinder. For a friction locked fit two drillings are necessary. For the positioning of the drillings the Lock Cracker can be used as a centre punch.

- **For round cylinders with 32 mm in diameter**
- **Delivery including drill 5.5 mm in diameter**



Order No. 1935

ZIEH-FIX®

The simple use enables a quick and neat opening of safety-locks without damaging fittings, doors etc.

- **Our most famous extraction tool**

Order No. 1002



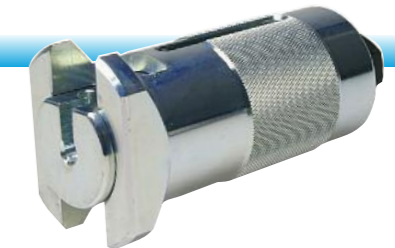
ZIEH-FIX® in exchange

- **For the exchange, send us the defective tool**

Order No. 1055

ZIEH-FIX® "Bell"

- **Extraction tool of the first generation**
- **Modified in our company**
- **Produced in new design**
- **Part of the unlocking tool box "Fire Brigade"**
Standard: DIN 14800-SWK



Order No. 1005

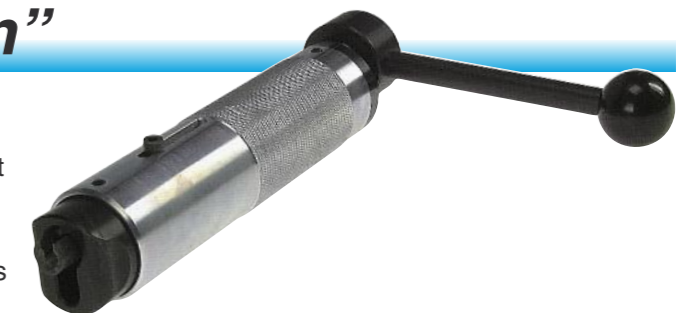
Bundle with ZIEH-FIX® "Bell":

Order No.	Description	Quantity
1005	ZIEH-FIX® "Bell"	1
1005-G	Adhesive Rubber Protection Pads for ZIEH-FIX® "Bell"	1
1200	Supporting Washer for ZIEH-FIX® Pull-Screws	1
1003	ZIEH-FIX® Plug Extractor Plate for Profile Cylinder Locks, 14.7 mm dia.	1
1004	ZIEH-FIX® Plug Extractor Plate for Round Cylinder Locks, 16.8 mm dia.	1
1202-10	ZIEH-FIX® Pull Screw "Extra", 10 pcs., 4.2 mm diameter	1
1203-10	ZIEH-FIX® Pull Screw "Super", 10 pcs., 4.8 mm diameter	1
1204-10	ZIEH-FIX® Pull Screw "Spezial", 10 pcs., 5.5 mm diameter	1
1205-10	ZIEH-FIX® Pull Screw "Pitbull", 10 pcs., M6 dia.	1

Order No. 1005-B

ZIEH-FIX® "Premium"

With ZIEH-FIX® "Premium" the traction force is increased by the conception of the tool. It is sufficient to pull the lock into the tool opening and break the profile cylinder through tilting and bending movements. High-quality multiple-bolting locking systems will make it necessary to extract only the cylinder core. The tool was developed in cooperation with security- and rescue teams for the use in this field.



Protection Plate (PVC) (Not pictured!)

- **Multi-functional extraction tool**

- **Self-adhesive**

Order No. 1001

Order No. 1103

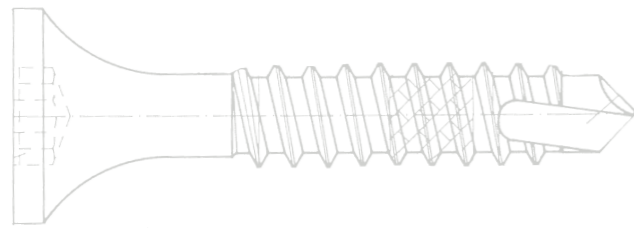
The ZIEH-FIX® Pull Screws

Here are the essential features of the ZIEH-FIX® Pull Screws to show you the major differences between our ZIEH-FIX® Pull Screws and possible imitations:

- **These screws are manufactured exclusively for us under constant quality control**

The Torx-20 Head of our screws is especially well developed and withstands the greatest pulling strengths.

The gaps of the separate threads are especially made for the material of the locking cylinders.

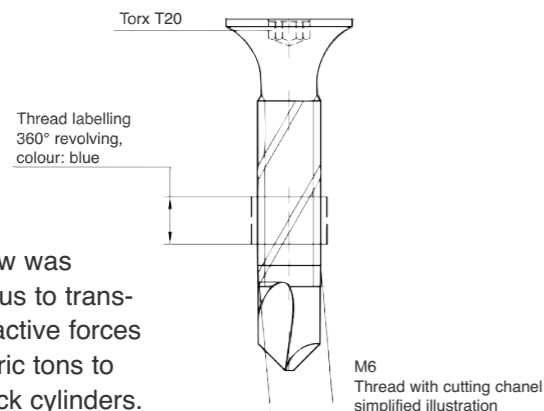


A colour marking of approx. 10 mm on the first threads shows an unused screw.

Look out for the sign:

ZIEH-FIX® Pull Screw

ZIEH-FIX® Pull Screw "Pittbull"



This Pull Screw was developed by us to transfer extreme tractive forces of up to 5 metric tons to high quality lock cylinders.



ZIEH-FIX® Pull Screw "Extra"

4.2 mm diameter
10 pieces

Order No. 1202-10

50 pieces

Order No. 1202-50



ZIEH-FIX® Pull Screw "Super"

4.8 mm diameter
10 pieces

Order No. 1203-10

50 pieces

Order No. 1203-50



ZIEH-FIX® Pull Screw "Spezial"

5.5 mm diameter
10 pieces

Order No. 1204-10

50 pieces

Order No. 1204-50



ZIEH-FIX® Pull Screw "Pittbull"

M6 diameter
10 pieces

Order No. 1205-10

50 pieces

Order No. 1205-50

Plug Extractor Plates

Plug Extractor Plate to put underneath the ZIEH-FIX® for plug extraction

- **Available for profile cylinders and round cylinders**

Plug Extractor Plate for profile cylinder locks, 14.7 mm diameter

Order No. 1003

Plug Extractor Plate for round cylinder locks, 16.8 mm diameter

Order No. 1004

Plug Extractor Plate for round cylinder locks in Switzerland, 22.0 mm diameter

Order No. 1003-CH



Screw-Driving Adapter

- **For one-handed screwing of the special pull screws**
- **1/4", with Bit Tx20**

The screw-driving adapter fixes the pull screw in its refined screw holder and allows the fast, comfortable and one-handed screw-driving of the pull screw into the lock cylinder.

Order No. 1403-ESH



Supporting Washer for ZIEH-FIX® Pull-Screws

The Supporting Washer is only intended for the use with the ZIEH-FIX® "Bell", manufactured by us.



The ZIEH-FIX® "Bell" must be equipped with a 6.0 mm notch (screw entry) which is diagonally to the axis.

This is the case for the original ZIEH-FIX® "Bell", produced since 10.2004.

The Supporting Washers are used as support for the original ZIEH-FIX® Pull Screws and improve the distribution of pressure during the pulling process. At the same time the Supporting Washers increase the durability of the tool.

The Supporting Washers are subject to normal wear but allow for repeated use.

• **Packing unit 5 pieces**

Order No. 1200

Rubber Protection Pad for ZIEH-FIX® "Bell"



Adhesive protection pads made of 1 mm thick rubber - perfectly adapted to the ZIEH-FIX® "Bell".

Simply stick two pads to the foot of the ZIEH-FIX® "Bell" and scratches on the door hardware are already reduced.

• **Packing unit 6 pieces**

Order No. 1005-G

Cutting- and Lubricating Spray

This spray prevents damage of the Pull Screws while turning in the keyway and reduces friction forces. The Cutting- and Lubricating Spray can also be used for working with Electro Pick and Little Joe.

- Content 100 ml

Order No. 1061-E

Ratchet

Proxxon-Speeder Ratchet

- Width across flats 17 and 19

Order No. 1005-RA.PROX



Bit Set

- 9 bits 1/4" with magnetic bit extension
- Including special bits for lockmasters

Order No. 1402



All parts also individually available:

Order No.	Description	Size
1402-5,5	Screw-Driver	0.8 x 5.5 x 25 mm
1402-6,5	Screw-Driver	1.2 x 6.5 x 25 mm
1402-PZ 1	Screw-Driver, four-way	Size 1
1402-PZ 2	Screw-Driver, four-way	Size 2
1402-PZ 3	Screw-Driver, four-way	Size 3
1402-PH 2	Screw-Driver, Phillips	Size 2
1402-IH 2,5	Screw-Driver, hexagon socket	2.5 x 25 mm
1402-IH 3,0	Screw-Driver, hexagon socket	3.0 x 25 mm
1403	Screw-Driver, torx, TI-coated	Tx20
1405	Magnetic Bit Extension	1/4"

Bit-Holder

Bit-Holder with T-Handle for bits 1/4"

Order No. 0810

Extension

Order No. 0802

Adapter-blade

Order No. 0803



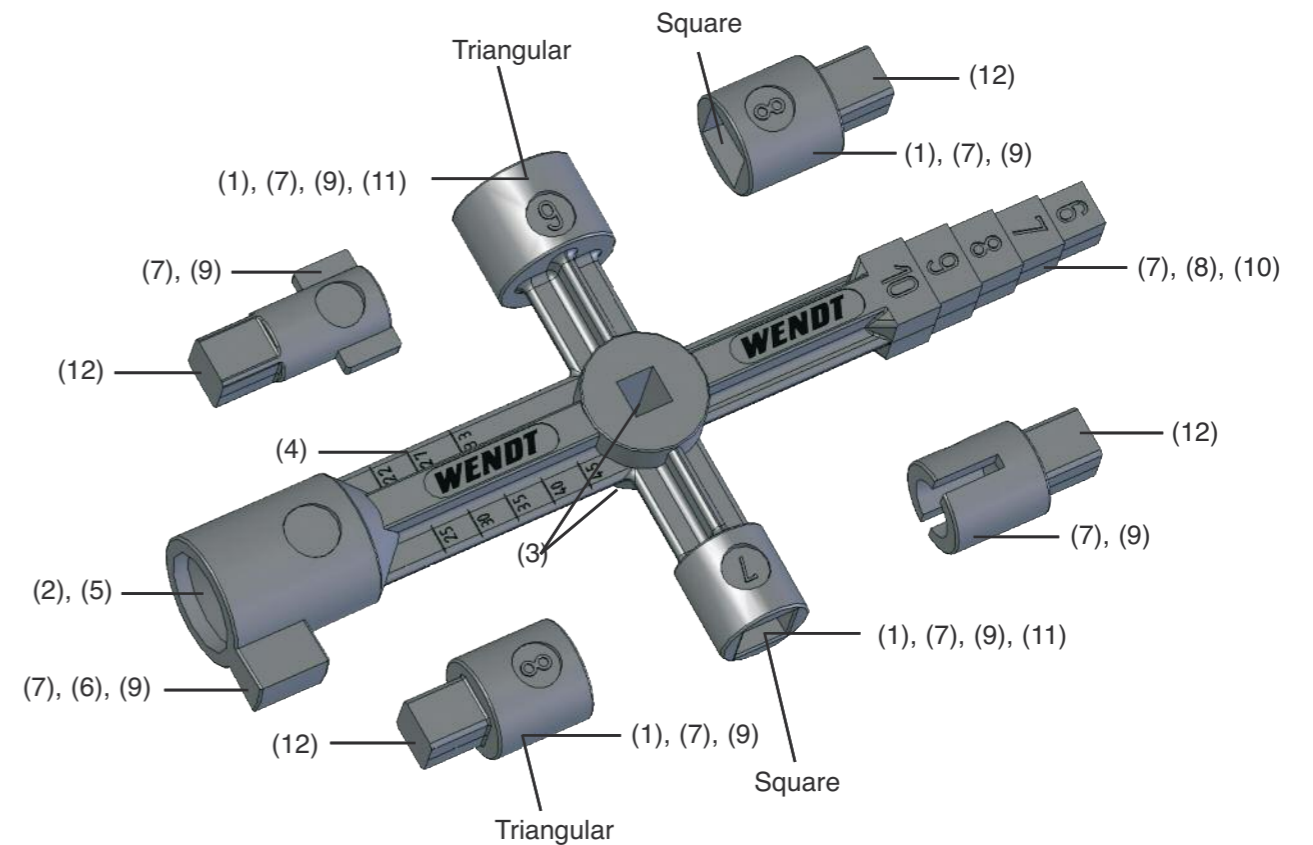
Multifunctional Key

Many craftsmen, service technicians and authorities cannot do without this key!

- Policemen and Fire Fighters
- Locksmiths
- Plumbers
- Joiners
- Electricians
- Caretakers
- Facility Management

- Zinc-Die Cast with nickel-plated surface

Order No. 1066



According to function:

- | | |
|--|---|
| (1) Opening and closing of valves | (8) Examination of square perforation on windows or mortise locks |
| (2) Bit application | (9) Key / Tool |
| (3) Bleed heating | (10) Door handle function |
| (4) Measuring of profile cylinder length | (11) Tool holder |
| (5) Installation and dismantling in connection with separate Bit Tools | (12) Tool adapter |
| (6) Emergency opening tool | |
| (7) Opening and locking of windows, doors, control cabinets, rubbish skips etc.. | |

Universal Keys

Various Square Pin Lock Keys; size 6, 7 and 8 mm.
Scale to measure profile cylinder length.
Conic Square Drive 6-10 mm.
Hexagonal Spanner, top 3 mm
Zinc-Die Cast with high polished nickel-plated surface

Metal Universal Key for profile cylinder with square drive

Order No. 1067



To open the lock after breaking the cylinder.

Metal Universal Key for profile cylinder without square drive

Order No. 1068



Plastic Universal Key for profile cylinder without square drive

Order No. 1077



MAKITA Straight Grinder

For one-handed grinding, incorporation of frame locks etc..

- **Inexpensive grinder**
- **Ideal for milling the cylinder plug and the protection rosette**
- **25,000 RPM for fast and efficient grinding**

Includes:

- 1 Wrench 10 and 1 Wrench 17
- 1 Collet (6 mm)
- 2 Wheel Points (conical and cylindrical)



Order No. 1700

Cordless Straight Grinder

- **Handy 18 Volt Straight Grinders, ideal for milling cylinders and protection rosettes.**
- **For one-handed grinding, incorporation of frame locks etc..**

Makita Cordless Die Grinder, 18 Volt, BGD800RFE

Ergonomically designed, easy to grip, slim body for grinding in tight spots Internal labyrinth construction seals motor and bearings from contamination.

- **Easy-to-grip motor housing with small circumference.**
- **Vent slots designed to direct exhaust air away from operator.**
- **Inexpensive grinder**
- **Long-nose type.**
- **Solid aluminum bearing box.**



Order No. 1780

Technical Data:

Collet Diameter	6 mm
Grinding Tool Diameter, max.	38 mm
No Load Speed	25.000 rpm
Overall Length	402mm
Net Weight	2.0 kg
Battery Capacity	18 V / 3.0 Ah
Charging Time	22 min

Set contains:

This 18 Volt Lithium Ion Cordless Grinder comes with 2 Li-Ion batteries, fast battery charger and a heavy duty carrying case.

Optional available:

Makita Li-Ion Battery Pack, 18 V / 3 Ah
Collets in Diameter of 3 mm and 8 mm

Order No. 1780-Akku



Milwaukee Straight Grinder HD18 SG

- **Long, slim arbour for jobs on hard-to-reach spots**
- **Overload protection prevents damage to the tool and battery during abusive situations**
- **High rotation exactitude**
- **Electronic with speed selection in 2 gears**
- **Full metal gear case extends lifetime**



Order No. 1730-MW

Technical Data:

Battery Capacity	18 V / 3 Ah
Rated Speed 1./2. Gear	17.500/21.500 rpm
Collet Diameter:	6 mm
Burr Head Diameter:	max. 25 mm
Weight incl. Battery Pack:	3 kg

Set contains:

This 18 Volt Lithium Ion Cordless Grinder comes with 1 Li-Ion batterie, battery charger and a heavy duty carrying case.

Optional available:

Milwaukee Li-Ion Battery Pack, 18 V / 3 Ah

Order No. 1730-Akku M18



Burrs

Indispensable tools for the emergency lock opening service for milling the lock, also suitable for safes.

- High-quality products and long operating life
- All milling cutters for collet diameter 6 mm



- Over-long full hard metal milling cutters for safe and vault opening are available on request

Burr, 60 mm Length
Burr, 80 mm Length
Burr, 120 mm Length

Order No. 1711
Order No. 1716
Order No. 1712

Burr, 150 mm Length
Burr, 200 mm Length
Burr, 250 mm Length

Order No. 1713
Order No. 1714
Order No. 1717

Solid Carbide High-Speed Drill, 6.0 mm diameter, 60 mm Length

The solid carbide high-speed drill is made of 100% carbide and distinguishes itself in a high durability.



Order No. D0660

Hard Metal Turbo Burr, 3.0 mm diameter, 60 mm Length

With this burr one can easily work out the pins in locks. Can also be used to work out lock pins in plug protection fittings without damaging the protection rosette.



Order No. 1721

- Min. idling speed 18,000 rpm
- Collet necessary, 3 mm in diameter

Collet, 3 mm diameter

This collet is necessary when the burr Order No. 1721 is used with a Straight Grinder.



Order No. 1730-SPANN-3
Order No. 1780-SPANN-3

Collet for Milwaukee Straight Grinder HD18 SG, 3 mm diameter
Collet for Makita BGD 800RFE, 3 mm diameter

Also available:

Collet for Milwaukee Straight Grinder HD18 SG, 6 mm diameter

Order No. 1730-SPANN-6

Recommendation for soft metals:

Burr (HSS) for Aluminium, 6.0 mm diameter, 50 mm Length

Order No. 1720-A

Burr for Aluminium, 6.0 mm diameter, 50 mm Length

Order No. 1720-B



Burr for Abloy Protec-Locks

Order No. ABLOY-PRO-FRÄS



Drill Driver M18 CDD

- Milwaukee® designed and built brushless POWERSTATE™ motor for up to 10x longer motor life and up to 25% more power
- REDLINK PLUS™ intelligence system delivers the most advanced digital overload protection for tool and battery and uniquely enhances the tool performance under load
- REDLITHIUM-ION™ battery pack delivers up to 2.5x more run time, up to 20% more power, up to 2x more battery life and operates better down to -20°C than other lithium-ion technologies
- All metal reversible belt clip – hang your tool quickly and easily
- Flexible battery system: works with all Milwaukee® M18™ batteries
- Individual battery cell monitoring optimises tool run time and ensures long term pack durability
- Battery fuel gauge displays remaining charge
- Brightest LED workspace illumination
- Battery voltage: 18 Volt
- Clamping range: 1.5 to 13 mm



Order No. 1755-4.0

Profi Multicut Drills

- The all-rounder

Tungsten Carbide Multi Purpose Drill Bits with Cylindrical Shank

- Carbide Tip: Extra sharp cutting edges, so very well suited for metal too
- Patented 4-step profile: Fast drill dust feed when drilling into masonry and concrete
- Various lengths: up to 400 mm available

Range of application:

Extremely versatile and precise drilling – even with changing drills in various materials. For precision rotary drilling in tiles, natural stone, metal, wood and plastics.

For Metal:

thanks to all diamond ground cutting edges

For Mansory:

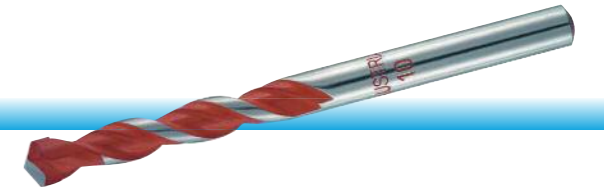
thanks to 4-stage profile for fast bore-dust removal

We are always looking for better products to improve the drilling in several tempered materials and/or amalgams. The drilling tests in all the materials which sound is familiar to Locksmiths and Lockmasters doing a drilling job, have proved their excellent quality.

Not for use hammer drilling!

Available sizes:

Order No.	Size (Diameter x Length)
PMB03.0-60	3.0 mm x 60 mm
PMB04.0-75	4.0 mm x 75 mm
PMB05.0-85	5.0 mm x 85 mm
PMB05.0-150	5.0 mm x 150 mm
PMB05.5-85	5.5 mm x 85 mm
PMB05.5-150	5.5 mm x 150 mm
PMB06.0-100	6.0 mm x 100 mm
PMB06.0-200	6.0 mm x 200 mm
PMB06.0-400	6.0 mm x 400 mm
PMB06.5-100	6.5 mm x 100 mm
PMB06.5-200	6.5 mm x 200 mm
PMB06.5-400	6.5 mm x 400 mm
PMB07.0-100	7.0 mm x 100 mm
PMB07.0-200	7.0 mm x 200 mm
PMB08.0-120	8.0 mm x 120 mm
PMB08.0-200	8.0 mm x 200 mm
PMB08.0-400	8.0 mm x 400 mm
PMB10.0-120	10.0 mm x 120 mm
PMB10.0-200	10.0 mm x 200 mm
PMB10.0-400	10.0 mm x 400 mm
PMB12.0-150	12.0 mm x 150 mm
PMB12.0-220	12.0 mm x 220 mm
PMB12.0-400	12.0 mm x 400 mm
PMB14.0-220	14.0 mm x 220 mm
PMB14.0-400	14.0 mm x 400 mm
PMB16.0-400	16.0 mm x 400 mm



Door Latch Opening Cards "Super Mica"

The opening cards are manufactured out of high-flexible plastic, fit in the fold of the door and allow to slip the latch.

The Door Latch Opening Cards are made from a type of plastic specifically created for their use. They allow a fast and easy opening of doors that are "only" closed, but not locked. Especially in cases where the gap between door and frame is too narrow for the use of Door Latch Needles these cards can prove their usefulness.



- 100 mm x 165 mm
- Set of 9 pieces per pack in 3 different thicknesses (0.25 mm, 0.35 mm and 0.50 mm)

Order No. 1098 AGE

Door Latch Opening Cards "Super Mica 250"

- 100 mm x 165 mm x 0.25 mm
- Set of 3 pieces

Order No. 1098 AGE-250

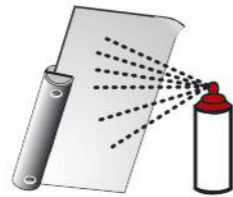


Bend one of the corners of the Door Latch Opening Card, so it will fit more easily between door and door frame.

Door Latch Opening Cards "Super Mica 350"

- 100 mm x 165 mm x 0.35 mm
- Set of 3 pieces

Order No. 1098 AGE-350

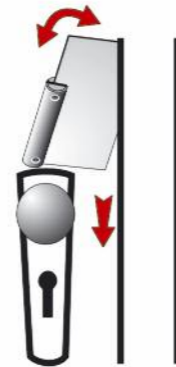


Spray with silicon spray.

Door Latch Opening Cards "Super Mica 500"

- 100 mm x 165 mm x 0.50 mm
- Set of 3 pieces

Order No. 1098 AGE-500



Pull the door handle with one hand and use the other hand to insert the Door Latch Opening Card with back and forth movements between door and door frame.

Slowly pull down the card until the door lock opens.

Handles for Door Latch Opening Cards

Model White: For cards with thickness 0.35 mm
Order No 1098-A AGE

Model Black: For cards with thickness 0.5 mm
Order No. 1098-B AGE

- One card included

The handle allows a solid fix of the card. Consequently, working with bigger pressure is possible without running the risk of injuring yourself by the card.



Tilting Window Opener

Three-part set to open tilted windows over the inside window handle.

- Easy to use
- Quick aid
- Ideal for fire brigades

Order No. 3505



Tilting Window Opener to go over window catch.



Pull traction rope over bolting system. Pull traction rope diagonally downwards and close window.



Use traction rope to pull window catch and open window.

Lever Opening Tool

Opens any door with a lever handle.

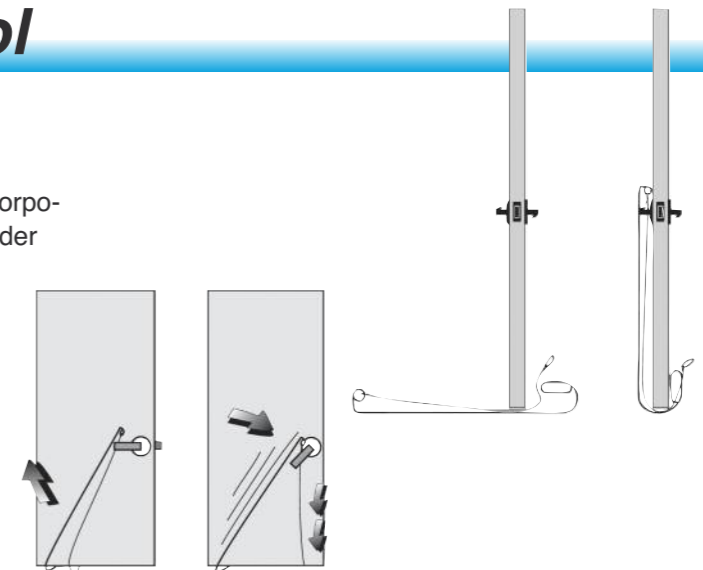
The tool is designed to open any door which incorporates a lever handle. If you can slide this tool under the door, you will open it in seconds.

- Easy to use

Order No. 1080

Replacement Part: Draw-Rope

Order No. 1081



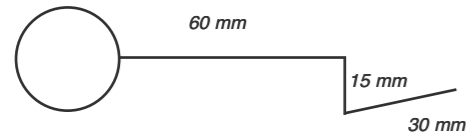
Door Latch Opening Needle Set

High-quality nickel-plated steel wire, which has to be bent into the desired shape to fit in the door rabbet. The set includes 10 needles.

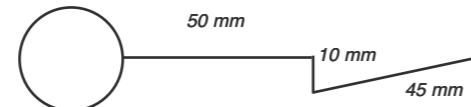
- **Needles are not bent, when delivered**

Order No. 1085

Suggestion of bending for wooden doors:



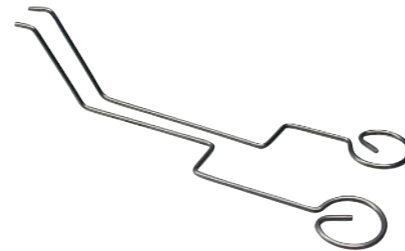
Suggestion of bending for aluminium doors:



Door Latch Opening Needle Set "Latch Slider" for standard doors

Double angle slider set with two needles for left and right closing doors, which shall be opened in the direction from the user away.

Order No. 1085-SH-N



Door Latch Opening Needle Set "Latch Slider" for emergency doors

Double angle slider set with two needles for left and right closing doors, which shall be opened in the direction to the user.

Order No. 1085-SH-F

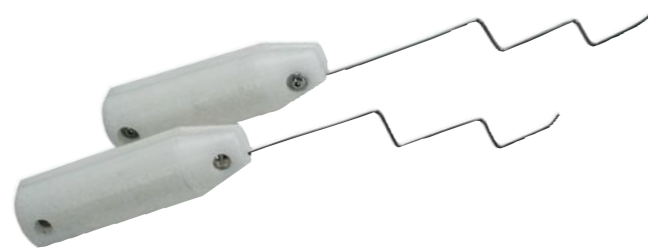


Door Latch Opener Wires

Door Latch Opener Set, Wires of 1.5 mm diameter and 1.75 mm diameter with Handle

- **With tension grip**
- **Especially for doors with double fold**

Order No. 1085-D-SET



Wires are also available separately:

Wire with Handle, 1.5 mm diameter

Order No. 1085-D1,5

Wire with Handle, 1.75 mm diameter

Order No. 1085-D1,75

ZIEH-FIX® Door Latch Opening Module

An assortment of tools to open closed but unlocked doors, e. g. if a door has fallen shut. Can be used in various situations.

- **For single and double-ribbed doors**

Order No. 112-Notöffnung-M4



Module contents:

Order No.	Description	Quantity
1098 AGE	Door Latch Opening Cards "Super Mica"	1
1085	Door Latch Opening Needle Set	1
1076	Cork Screw Door Latch Retractors	1
1079-C	Door Latch Opening Glider Set	1
1078-V	Opener for Panic Doors	1

Door Latch Opening Glider Set

The Door Latch Opening Glider set comes with Door Latch Opening Gliders in the sizes of 15 mm and 20 mm, each size optimized for the different types of offset door designs. The Door Latch Opening Gliders allow fast opening of the closed, but unlocked door. They are suitable for doors, suspended left and right side.

Insert the Door Latch Opening Glider in the gap between door and frame, slide it down to the latch and the door opens.



- **Made of stainless steel**

Door Latch Opening Glider, Set Order No. 1079-C

Door Latch Opening Glider, Size 15 mm
Order No. 1079-A

Door Latch Opening Glider, Size 20 mm
Order No. 1079-B

Opener for Panic Doors

In most cases, this tool enables opening of unlocked doors that open outwards. With this door latch retractor the latch can be pushed back. Available for doors, suspended left and right side.

Left (Model White)
Right (Model Black)

Order No. 1078-V
Order No. 1078-V (R)

Set, left and right

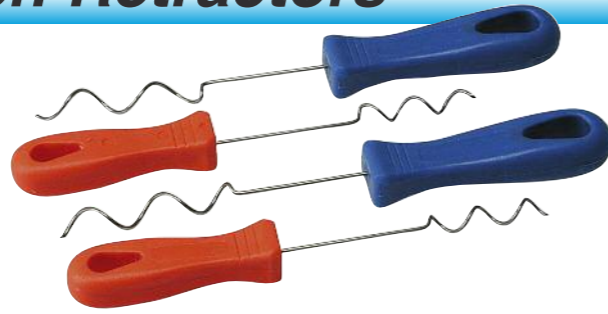
Order No. 1078-V SET



Cork Screw Door Latch Retractors

Especially suitable for doors with stick-out seals which has made inserting opening needles impossible until now. The cork screw door latch retractor pierces these stick-out seals and makes it possible to slip the latch!

- Allow the non-destructive opening of double-rebated doors in most cases
- Delivery in a set of 4 cork-screw retractors
- For left and right closing doors
- Right and left spiralled



Cork Screw Door Latch Retractor Set

Order No. 1076

Cork Screw Door Latch Retractor Set
1.7 mm wide spiral

- Delivery in a set of 2 cork-screw retractors

Order No. 1076-B



Door Handle Tool "Lock-Off"

Opening of a closed door is carried out with this tool through the existing door spy hole or a new drilled hole. This is often the only possibility for a professional opening.

- Impeccable mechanics

Order No. 1086

Dismantling Pliers

To unscrew the door spy

Order No. 1087-A



Rocker Lever

For tightly screwed door spies

Order No. 1087-B

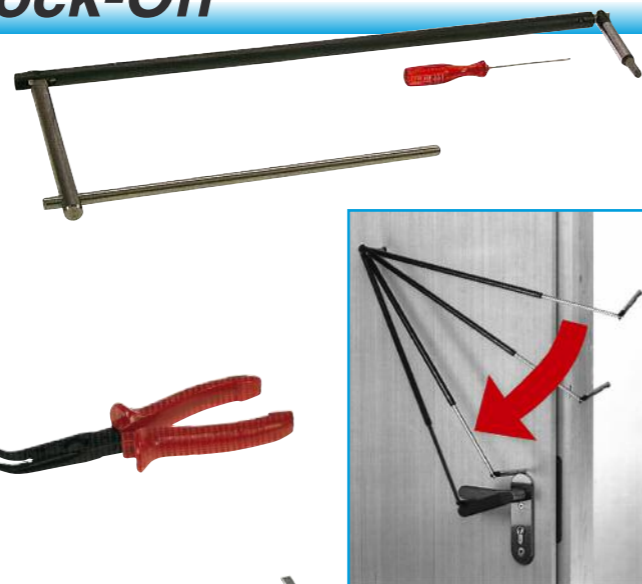


Drill Bit

Order No. 1087-D

Drill bit with specially refined tip. This tip avoids fraying out of wood while drilling the spy hole.

- Drill 15.0 mm diameter
- Shaft: 9.5 mm diameter



Padlock Opener

Warded Padlock Pick Set

This compact pick set efficiently opens warded padlocks. This set of 5 picks is held together by a key ring and helps to avoid costly destruction of padlocks.

Order No. 3520E



Padlock Shim Picks

An assortment of 20 padlock shims designed to quickly and effectively open many snap-shut type economy padlocks on the market.

Their speciality is opening laminated type padlocks though they will open almost any lock which has a spring lever latch locking bar providing there is enough clearance to allow the shim to operate.

Order No. 3310



LOCKMASTER® Comb Pick Sets for Padlocks

The picks enable all the pins to be simultaneously pushed down under the shear line.

- 6 Combs each set
- 1 Tension Tool
- Top Grain Leather Case with Snap

Combset 6 pieces for Padlocks with 5 pins

e.g. for ABUS, CHUBB, CISA, MASTER and TRI-CIRCLE

Order No. 3325



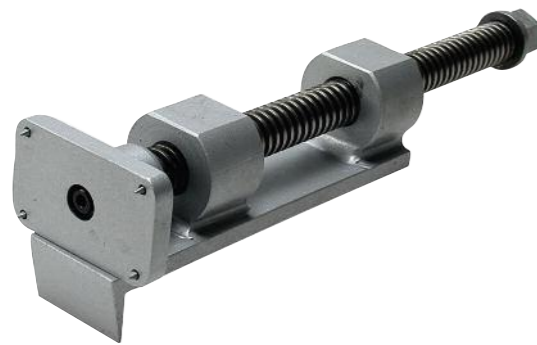
Combset 6 pieces for Padlocks with 6 pins

e.g. for MASTER and TRI-CIRCLE

Order No. 3326



Door Lifting Tools



Door Spreader "AGE"

An example from real life...
This massive tool was developed by a Dutch Police Force.

- *The Spreader for the extreme use*

Order No. 2350 AGE

Door Lifting Tool "Universal"

- *Enables the insertion of Door Latch Opening Cards and Door Latch Opening Needles*
- *Medium heavy door lifter*

Order No. 1099



Lever Picks

Lever Pick "Classic"

Opening tools for locks with bolt throwers which make the job easy.

A simple key set of try-out/jiggler keys which will work on the old small Chubb locks.

- *Each key hand-made*
- *6 try-out/jiggler keys*
- *Simple and easy to use*
- *Made to last a life time*

Lever Picks "Classic", small

Order No. 0703-C



Lever Picks "Classic", medium

Order No. 0703-B



Lever Picks "Classic", big

Order No. 0703-A



Lever Picks

Lever Pick Sets for Chubb-, Warded and Antique Locks
High quality, nickel plated



Set "K"

- *Chubb locks Set, 12 pieces*
- *Bit height: 14 mm*
- *Bit length: 10 mm*
- *Total length: 100 mm*
- *Shaft length: 80 mm*
- *Diameter Hollow shaft: 5 mm*

Order No. 1821



Set "K"

Each Pick is available separately as a spare part!

- *Chubb locks Set, 12 pieces*
- *Bit height: 14 mm*
- *Bit length: 10 mm*
- *Total length: 100 mm*
- *Shaft length: 80 mm*
- *Shaft measurements: 5 x 2 mm*

Order No. 1821E



Set "O"

- *Warded and antique locks Set 15 pieces*
- *Bit height: 12-15 mm*
- *Bit length: 9-14 mm*
- *Total length: 110 mm*
- *Shaft length: 80 mm*
- *Diameter Hollow shaft: 5 mm*

Order No. 1825

Key Turner

A device to simply and quickly turn keys left on the inside of locked doors. Designed to work on most 2 and 3 lever locks this tool will work from the outside to quickly turn keys left in the door.

- *2 differently shaped hooks for left- and right-turning keys*

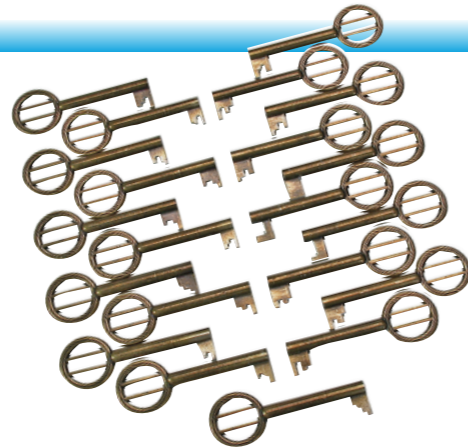


Order No. 0755

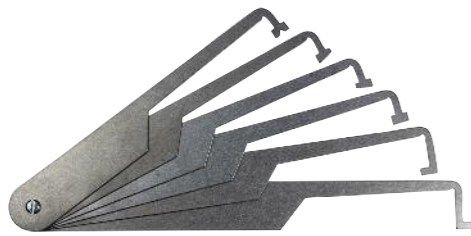
Lever Picks

Lever Picks for Furniture and Cabinet Locks, Set "D"

- 21 Lever Picks for Chubb Locks
- New Set, Steel Cast!
- Bit height: 14 mm
- Total length: 60 mm
- Shaft length: 40 mm
- Shaft diameter: 6 mm
- Hole inside diameter: 3,7 mm



Order No.. 1813



Manipulators for 1 lever rim locks and 2 lever rim locks

Order No. 0703-2 LEVER

Manipulators for 3 lever rim locks

- 18 X Double Ended tools with 36 different profiles

Order No. 0703-3 LEVER



Draw and cabinet jiggle blank set "Standard"

For use with antique and modern 3 & 4 lever cabinet locks. This set comes with 15 double ended tools making up to 30 varieties.

- Made from Stainless Steel!

Bit height: 6.5 mm
 Diameter shaft: 6 mm
 Diameter hollow shaft: up to 4.5 mm
 Total length: 75 mm
 Shaft length: 42 mm
 Each shaft with 2 different tips

Order No. 0703-PC801



Lever Picks

Draw and cabinet jiggle blank set "Mini"

For use with antique and modern 3 & 4 lever cabinet locks. This set comes with 15 double ended tools making up to 30 varieties.

- Made from Stainless Steel!

Bit height: 4.5 mm
 Diameter shaft: 6 mm
 Diameter hollow shaft: up to 4 mm
 Total length: 75 mm
 Shaft length: 42 mm
 Each shaft with 2 different tips



Order No. 0703-PC802

Master Key Sets

Micro Jigglers



A set of 6 very small Jiggler Keys to help open smaller wafer locks. Ideal for desk locks, cabinets, attache cases, luggage cases, etc.. Combines the tension tool and hand pick, thereby speeding up and aiding opening technique.

Order No. 0785

Mini Jigglers

A set of 6 smaller jiggler keys to help open different car locks as well as Petrol Locking caps, Lockers, Cam Locks, Padlocks, Showcases and numerous other locking devices. Works on both pin tumbler and wafer mechanisms. Combines the tension tool and pick, therefore speeding up and aiding opening techniques.

Order No. 0786



Car Key Jigglers

A set of 10 jiggler keys to help open all kind of cars as well as numerous other locking devices. Combines the tension tool and pick, therefore speeding up and aiding opening techniques.

- Works on both pin tumbler and wafer mechanisms



Order No. 0789

LOCKMASTER® Picks

Picks made of Hardened Stainless Spring Steel.

- Tip thickness: .026" / 0.7 mm

Our Own Production!



Order No.

- 3435E
- 3425E
- 3413E

- Tip thickness: .022" / 0.6 mm

Our Own Production!



Order No.

- 3436E
- 3437E
- 3434E
- 3424E
- 3412E
- 3402E
- 3405E
- 3400E
- 3401E
- 3404E
- 3403E

LOCKMASTER® Picks

Picks and Extractors made of Hardened Stainless Spring Steel.

Special Picks made of Hardened Stainless Spring Steel.

- Tip thickness: .020" / 0.5 mm

Our Own Production!



Order No.

- 3450E
- 3451E
- 3452E
- 3453E
- 3454E
- 3455E
- 3456E
- 3457E
- 3458E
- 3460E
- 3461E
- 3462E
- 3463E

- Special production
- Tip thickness: .020" / 0.5 mm

Our Own Production!



Order No.
3459E

Sylter
Welle



Order No.
3465E

Hook
46



Order No.
3466E

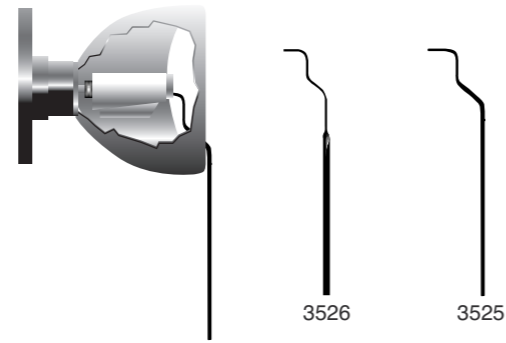
Stuttgarter
Horn

Tension Tools

Tension Tools for Tulip-Shaped Knobs

Medium Tension Order No. 3525

Rigid Tension Order No. 3526



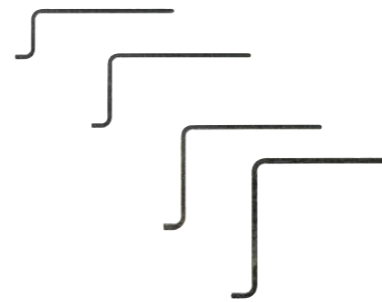
Lever-Type Letter Box Lock Tension Tools

.75" / 1.9 cm Order No. 3488E

1" / 2.5 cm Order No. 3489E

1.25" / 3.2 cm Order No. 3490E
with bigger tip

1.5" / 3.8 cm Order No. 3491E

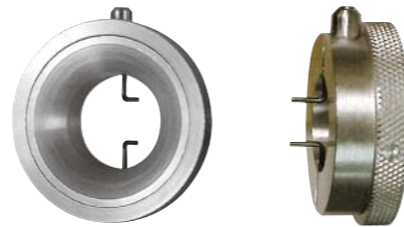


Torque & Tension Tools

This tool provides a large opening diameter allowing unrestricted entry of picking tools. The dual prongs assure even torque, always keeping the plug in proper alignment.

- Incorporates spring loaded adjustable prongs with spring-controlled tension.

Order No. 3498E

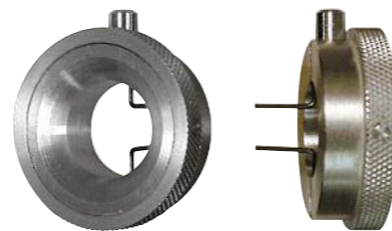


Torque & Tension Tool with large prongs for automotive use:

Torque & Tension Tool "CAR"

The dual prongs assure even torque, always keeping the plug in proper alignment. The integrated spring activates the tension at the cylinder plug.

The longer prongs make it excellent for automotive use.



Torque & Tension Tool "RINGO"

- Special designed tension tool for easy picking.

The springy tool activates the pre-loading at the rotor. The tool can replace the most diverse tension wrenches and can be universally fixed in the keyway by two metal pins.

Order No. 3498-RINGO



Tension Tools

Light Tension

5.25" / 13.35 cm Order No. 3470E

4.5" / 11.45 cm Order No. 3471E

4" / 10.15 cm Order No. 3472E

3.25" / 8.25 cm Order No. 3473E

3.25" / 8.25 cm Order No. 3474E

Medium Tension

5.25" / 13.35 cm Order No. 3479E

4.5" / 11.45 cm Order No. 3478E

4" / 10.15 cm Order No. 3477E

3.25" / 8.25 cm Order No. 3476E

3.25" / 8.25 cm Order No. 3475E

Rigid Tension

2.25" / 5.70 cm Order No. 3480E

2.25" / 5.70 cm Order No. 3481E

2.75" / 7.00 cm Order No. 3482E

3.75" / 9.50 cm Order No. 3483E

Variable-Size Tension Tools

Order No. 3449E

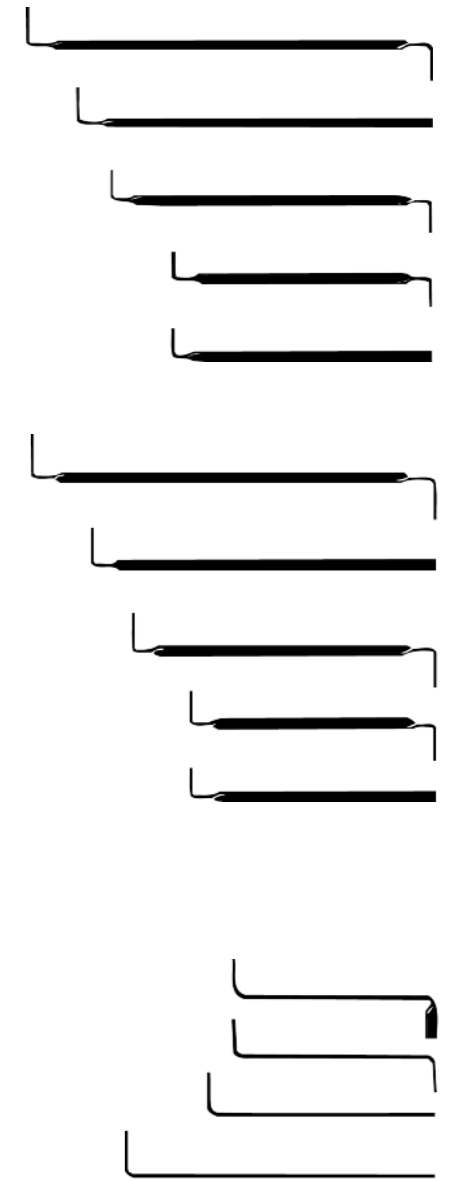
Order No. 3487E



Double-Sided Tension Tools

Medium Tension Order No. 3485E

Rigid Tension Order No. 3486E



Double-Sided Tension Tools

Car lock systems with double sided keys can be opened using the picking method. The ZIEH-FIX® Electro Pick is especially suitable for this.

The lock levers normally mesh in grooves above and below in the cylinder housing. Therefore, the tension must be exerted with a double-sided tension tool.

Adjustable Double-Sided "Car Tension Tool Set"

The double-sided car tension tool set includes 2 tension tools; made of high-quality hardened steel. The tension tools are adjustable and can be adapted to the various car cylinders during car opening.

Set contains:

Order No. 3493-A Tension Tool with short blades, 8 mm (3.15")
Order No. 3493-B Tension Tool with long blades, 13 mm (5.12")

Order No. 3493



Tension Tool Set for High Security Car Locks

Set contains:

Tension Tool A: 3 mm width
Tension Tool B: 2 mm width

Order No. 215-KPR-SET



Plug Spinners – Flipper

"Gun Plug Spinner"

The tool is manufactured using high quality materials and according to the producer the only plug spinner in the world that allows to adjust rotation strength.

- adjustable rotation strength

Order No. 220-RGN



Plug Spinner "Pocket Size"

- Small enough to fit in your pocket

Order No. LKM2056



Plug Spinner "El Torro"

- Highly efficient and inexpensive

Order No. 3530



Plug Spinners – Flipper

Plug Spinners are used after successful picking the lock.

The Plug Spinners are tightened according to the necessary rotation direction of the cylinder lock and after the release the cylinder plug spins so fast that

the pins do not drop back into the pin's drill holes to block.

- left-and right-turning

Plug Spinner "Flipper" Order No. 3501E

Replacement Blade Order No. 3502



Suggested Standard Tool

LOCKMASTER® Extractor Sets

To extract broken keys and foreign bodies out of the keyway. Extractors belong to the standard equipment in each tool bag!

"2000" Extractor Set

- Shirt Pocket Size (Closed): 1.75" x 5.75" (4.5 x 14.5 cm)
- Genuine Leather Case with Snap
- Contains 4 Extractors
- Stainless Steel Components

Order No. 3290E

Our Own Production!



Extractors also available separately:

.020" / 0.5 mm Order No. 3460E

.020" / 0.5 mm Order No. 3461E

.020" / 0.5 mm Order No. 3462E

.020" / 0.5 mm Order No. 3463E



Extractors

	.022" / 0.6 mm	Order No. 3444
	.040" / 1.0 mm diameter	Order No. 3445
	.022" / 0.6 mm	Order No. 3446E
	.022" / 0.6 mm	Order No. 3447

LOCKMASTER® Extractors

2-in-1 Extractors

- Double-sided style
- Stainless Steel
- To supplement your Pick Set

.020" / 0.5 mm Order No. 3664E
 .020" / 0.5 mm Order No. 3665E



Interchangeable Extractor Set

- Shirt Pocket Size (Closed): .75" x 3.5" (0.65 x 9 cm)
- Contains 4 Interchangeable Extractor Blades
- Stainless Steel Components

Order No. 3340



Extractors also available separately:

Saw-Type, 10 pcs. per pack

Order No. 3341



Round-Type, .040" / 1.0 mm dia., 10 pcs. per pack

Order No. 3342



Round-Type, .050" / 1.27 mm dia., 10 pcs. per pack

Order No. 3343



Assorted, contains:

- 4 x Saw-Type
- 4 x Round-Type, .040"/1.0 mm dia. and
- 2 x Round-Type, .050"/1.3 mm dia.

Order No. 3344

Pick Grip Handles

- Soft foam pick grip fits picks and extractors with or without metal handles
- It provides maximum pulling strength for key extractors

5 Pick Grip Handles, 1.87" / 4.75 mm diameter
 Order No. 3300



Pick Sets

"LOCKMASTER® Starter" Pick Set

This lockpicking set contains everything what you need to start lockpicking.

Set contains:

- 1 pc. Pick Set "Novice", Order No. 3270E
- 1 pc. Book "Easy Picking", Order No. Buch-Souber-1E
- 1 pc. Training Profile Cylinder

- Ideal for Beginners
- Stainless Steel Components!
- All Tools "Made in Germany"!



Order No. 3271E-SET English



"Starter" Pick Set

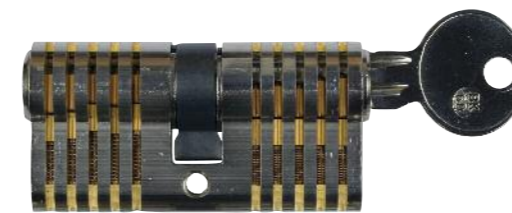
This pick set contains 7 of the most used pick blades and 1 tension tool and comes with an excellent pick case which can be worn on the belt very easily.

Order No. 3380-RGN

Training-Cylinders with 5 pins

All processes within the cylinder can be experienced visually.
 All pin tumblers of the lock cylinder are visible.

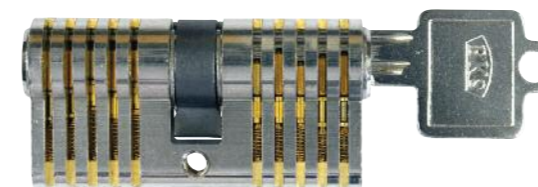
- Allow a very effective training of the most diverse areas of lock picking
- Delivery with 1 key



Training-Cylinder "Starter"
 Easy combination, no mushroom pins.
 Order No. 8110-2



Training-Cylinder "Standard"
 Combination with 2 mushroom pins.
 Order No. 8110



Training-Cylinder "Profi"
 Extreme high gradations.
 Order No. 8110-4

LOCKMASTER® Pick Sets

*Our Own
Production!*

“LOCKMASTER® Tyro” Pick Set

- **Shirt Pocket Size (Closed):**
1.75" x 5.75" (4.5 x 14.5 cm)
- **Top Grain Leather Case with Snap**
- **6 Picks**
- **2 Tension Tools**
- **1 Extractor**
- **Stainless Steel Components**

Order No. 3260E



“LOCKMASTER® Novice” Pick Set

- **Shirt Pocket Size (Closed):**
1.75" x 5.75" (4.5 x 14.5 cm)
- **Top Grain Leather Case with Snap**
- **7 Picks**
- **3 Tension Tools**
- **1 Extractor**
- **Stainless Steel Components**

Order No. 3270E



“LOCKMASTER® Deluxe” Pick Set

- **Shirt Pocket Size (Closed):**
2.5" x 6" (6.5 x 15 cm)
- **Genuine Leather Case with Full Zipper**
- **Hardened Spring Steel Components**
- **10 Picks**
- **4 Tension Tools**
- **2 Extractors**

Order No. 3200E



“LOCKMASTER® Professional” Pick Set

- **Jacket Pocket Size (Closed):**
4" x 6.5" (10 x 16.5 cm)
- **Genuine Leather Case with Full Zipper**
- **40 Picks**
- **14 Tension Tools**
- **6 Extractors**
- **Hardened Spring Steel Components**

Order No. 3210E



LOCKMASTER® Pick Sets

*Our Own
Production!*

“LOCKMASTER® Pro-Mixer” Pick Set

- **Shirt Pocket Size (Closed):**
2.5" x 6" (6.5 x 15 cm)
- **Genuine Leather Case with Full Zipper**
- **14 Picks**
- **5 Tension Tools**
- **5 Extractors**
- **Hardened Spring Steel and
Stainless Steel Components**

Order No. 3215E



“LOCKMASTER® Superior” Pick Set

- **Shirt Pocket Size (Closed):**
2.5" x 6" (6.5 x 15 cm)
- **Genuine Leather Case with Full Zipper**
- **22 Picks**
- **7 Tension Tools**
- **3 Extractors**
- **Hardened Spring Steel Components**

Order No. 3220E



“LOCKMASTER® 2000” Pick Set

- **Shirt Pocket Size (Closed):**
2.5" x 6" (6.5 x 16.5 cm)
- **Genuine Leather Case with Full Zipper**
- **9 Picks**
- **4 Extractors**
- **3 Tension Tools**
- **Hardened Stainless Spring Steel Picks
and Extractors**
- **Tempered Spring Steel Tension Tools**

Order No. 3280E



“LOCKMASTER® Double-Sided” Pick Set

- **Shirt Pocket Size: 1.75" x 5.75" (4.5 x 14.5 cm)**
- **Top Grain Leather Case with Snap**
- **4 Double-Sided Picks**
- **Hardened Spring Steel Components**
- **Not suitable for European vehicles!**

Order No. 3330



Picks also sold separately!

Pick Sets

“Blue-Stainless 14” Pick Set

- **Shirt Pocket Size**
- **Plastic Case with Snap**
- **9 Picks**
- **5 Tension Tools**
- **Stainless Steel Components**
- **Stylish streamlined and very light Aluminium Alloy handle**
- **Excellent blue finishing.**



Order No. 3375-RGN

“Blue-Stainless 7” Pick Set

- **Shirt Pocket Size**
- **Plastic Case with Snap**
- **4 Picks**
- **3 Tension Tools**
- **Stainless Steel Components**
- **Stylish streamlined and very light Aluminium Alloy handle**
- **Excellent blue finishing.**



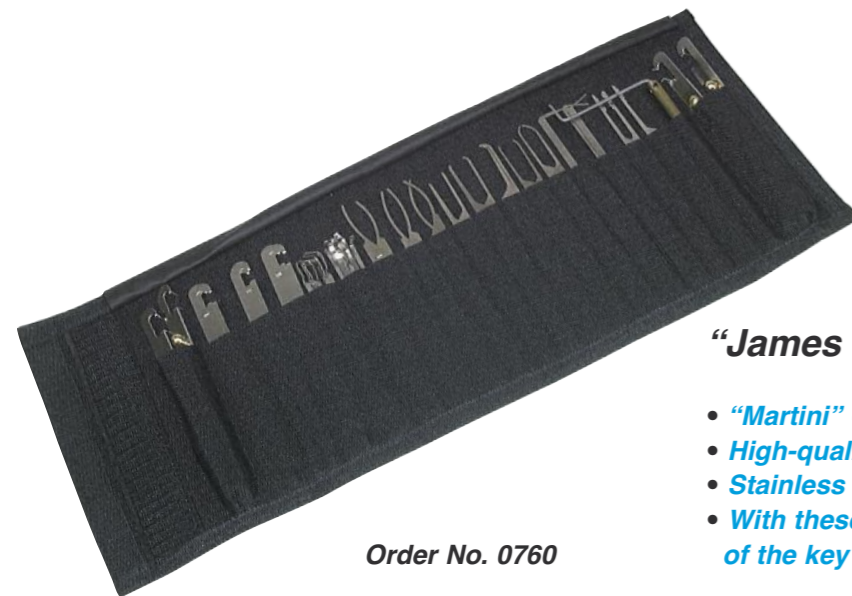
Order No. 3385-RGN

“Navigator” Pick Set

This pick set includes 15 picks and 3 different functional tension tools. Comes with a large pick case which can be worn on the belt very easily.

- **Hardened Spring Steel Blades**

Order No. 3370-RGN



Order No. 0760

“James Bond” Pick Set

- **“Martini” Opening, shaken - not stirred**
- **High-quality and Computer-calculated Picks**
- **Stainless Spring Steel Components**
- **With these picks the locking code of the key is partially pre-given**

Pick Sets

“Smart Commander Engineer” Pick Set

This pick set contains 9 of the most popular pick blades (put inside the handle of pen pick set) and one strong tension tool (clip).

- **Pick blades: Stainless steel**
- **Clip: Hardened carbon steel**

Order No. 3350-RGN



“MUL-T-LOCK” Pick Set

A set of 5 picks and 4 tension tools complete with leather wallet. Specially designed to work on the standard popular Right Hand sections. This pick set uses a simple step by step technique fully described in the enclosed instructions.

- **Specially designed pick shape**

Order No. 0702



“Matador Secretary” Pick Set

This Pick Set is designed for opening ordinary dimple key systems, it is not designed to open special keyway locks. The tool set is compact and can be worn in trouser pockets.

- **3 different tool tips**
- **Marked by different number of rings on brass handles**
- **Handles made of high quality polished brass**
- **Tool tips made of hardened steel with good flexibility**

Order No. 0704-RGN



“Matador” Pick Set

- **For Dimple Key Systems**
- **Hand Made Picks**
- **Not suitable for pin-in-pin systems!**

Order No. 0704



ZIEH-FIX® Battery-Pick

The new ZIEH-FIX® Battery-Pick is a further development of the over years proven ZIEH-FIX® Electro-Pick.

In this development our main focus was on the change of the handle. The battery compartment is designed as the handle of ZIEH-FIX® Battery-Pick and can be extended by using a spacer.

So it is possible to operate the tool either with 2 or **maximum** 3 pieces of commercial batteries or accumulators of the size "C" (Baby).

The use of a 3rd battery or 3rd accumulator increases the resonant frequency and enables a targeted and faster manipulation of locks.

The robust gear head of the Electro-Pick was unchanged.

So all the handles of our various Electro-Picks are compatible to the gear head.

Technical Specifications:

Energy Source:	2 / 3 Batteries or Accumulators, Size C, 4.5 Volt
Idle Speed Percussion Frequency:	8.000 / 10.500 Percussions/minute
Load Alternation Frequency:	5.000 / 6.000 Percussions/minute
Weight:	400 / 475 gr. (without energy source)

SET, beside the ZIEH-FIX® Battery Pick the set also contains:

Order No.	Description	Quantity
3516E	Pick "Novum": Straight Blade, .020" / 0.5 mm	2
3517E	Pick "Novum": Angel Blade, .020" / 0.5 mm	2
3479E	Tension Tool, 5.25" / 13.35 cm	1
3480E	Tension Tool, 2.25" / 5.7 cm	1
3488	Tension Tool, .75" / 1.9 cm	1
3491	Tension Tool, 1.5" / 3.8 cm	1
CD-4000	CD-ROM "ZIEH-FIX® Electro-Pick"	1

Delivery in the basic version for 2 batteries or accumulators, in plastic operation case, without batteries or accumulators!

Order No. 3600BA

Also available as a Complete Set containing these additional important tools:

Order No.	Description	Quantity
3498E	Torque & Tension Tool	1
3501E	"Flipper" Tool	1
3620	ZIEH-FIX® Pick-Needle Set "Novum"	1
3670	ZIEH-FIX® Pick-Needle Set "Car"	1

Delivery in the basic version for 2 batteries or accumulators, in plastic operation case, without batteries or accumulators!

Order No. 3600BA-SK



Both sets contain:

Extension for battery handle

For use of a 3rd battery or 3rd accumulator



Extension for battery handle

ZIEH-FIX® Electro-Pick Set II



Our battery operated electric Pick Gun uses the percussion principle. The necessary vibration frequency and strength of the pick is delivered by an eccentric. Therefore easy picking of multi-pin pin and disc tumbler locks is possible.

This tool will meet all future demands because of new developments and accessories produced in our company.

Order No. 3600

- Developed by A. Wendt GmbH
- For high requirements

- Manufactured with the highest precision
- Easy handling

SET, beside the Electro-Pick the set also contains:

Order No.	Description	Quantity
3516E	Pick "Novum": Straight Blade, .020" / 0.5 mm	2
3517E	Pick "Novum": Angel Blade, .020" / 0.5 mm	2
3479E	Tension Tool, 5.25" / 13.35 cm	1
3480E	Tension Tool, 2.25" / 5.7 cm	1
3488	Tension Tool, .75" / 1.9 cm	1
3491	Tension Tool, 1.5" / 3.8 cm	1
CD-4000	CD-ROM "ZIEH-FIX® Electro-Pick"	1

Also available as a Complete Set containing these additional important tools:

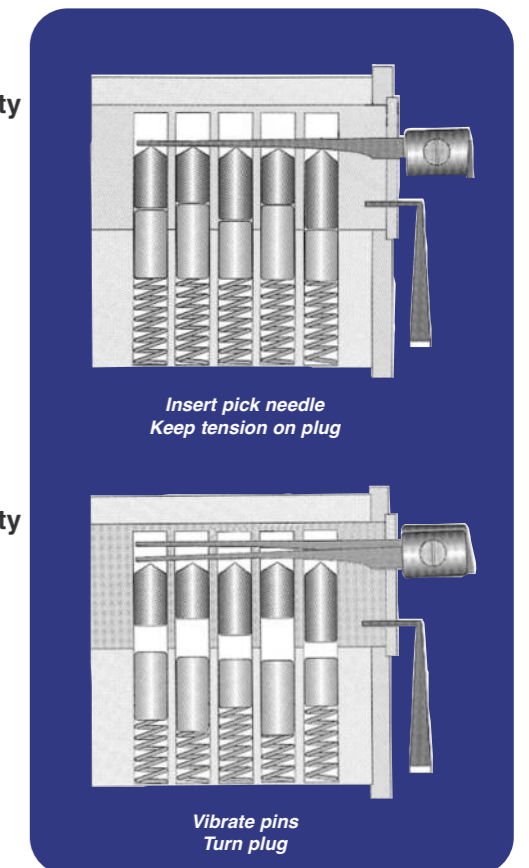
Order No.	Description	Quantity
3498E	Torque & Tension Tool	1
3501E	"Flipper" Tool	1
3620	ZIEH-FIX® Pick-Needle Set "Novum"	1
3670	ZIEH-FIX® Pick-Needle Set "Car"	1

Order No. 3600-SK

Additional useful accessories:

Order No.	Description
3639	ZIEH-FIX® Pick Adaptor "Dimple Key System"
2701E	Pick "Novum": Straight Blade, .030"/0.8 mm
2702E	Pick "Novum": Angel Blade, .030"/0.8 mm
3492E	Torque & Tension Tool for automotive use

- Please also note our extensive range of Tension Tools on page 30 and 31!



Video on CD-ROM:

Electro-Pick

Order No. CD-4000

ZIEH-FIX® Electronic-Pick

After developing the ZIEH-FIX®, the ZIEH-FIX® Bell, the ZIEH-FIX® Electro-Picks, the ZIEH-FIX® Little-Joe and many other tools this is another innovation from the company Wendt!



Made in Germany by A. Wendt GmbH!

This tool is a modification and improvement of the well-established ZIEH-FIX® Electro-Pick, which has generally been part of the standard equipment of locksmith alongside one of our developed picking tools.

Over the course of the last years the manufacturers of cylinder locks have been taking technical provisions to prevent the manipulation of the lock cylinders, e.g. by fitting springs with uneven lengths and weights, bottom-respectively driver pins with uneven lengths and weights and much more.

The new ZIEH-FIX® Electronic-Pick can be used for opening of lock systems with pin and disc locking systems, displays an **ergonomically formed handle** which enables a more comfortable and better use than its predecessor.

The actual innovation and consequently the core piece of the ZIEH-FIX® Electronic-Pick is the **new electronics**, which has been completely integrated into the handle and therefore allows to regulate the high **percussion frequency** necessary for opening even high-quality lock systems by using a **slide control** that is continuously adjustable to the **response frequency** of the lock cylinder during the operation of the pick.

Also new is the incorporated **battery compartment** in the handle which enables a smooth **replacement of the energy source** and is suitable for internationally used batteries (4 x Mignon, AA, 1.5 Volt) as well as rechargeable batteries.

EEPROMs and **microprocessors** regulate the various tensions of batteries and accumulators according to our tested frequency of oscillation. Thus the new ZIEH-FIX® Electronic-Pick is adjustable up to 2/3 under the percussion frequency and, with new batteries, up to double the frequency of the well-known ZIEH-FIX® Electro-Pick II.

In case of new developments the tools can be **upgraded** by re-programming them in our factory. Information to this will be published on our web page in due course.

The new handle with the incorporated electronics is available separately. Consequently all old models of the ZIEH-FIX® Electro-Pick II (with the black handle) can be altered if necessary, as the gear heads of both tools are compatible.

International Patent pending!

Technical Specifications:

Energy Source: 4 Batteries, (AA, 1.5 Volt) or 4 Accumulators (1.2 Volt)
 Idle Speed Percussion Frequency: 12,000 Percussions/minute
 Load Alternation Frequency: 8,000 Percussions/minute
 Percussion Frequency: Continuously adjustable to the response frequency of the lock
 Weight: 380 gr. (without energy source)

Delivery includes 4 accumulators and charger!

Set:

Order No.	Description	Quantity
	ZIEH-FIX® Electronic-Pick	1
3516E	Pick "Novum": Straight Blade, 0.5 mm	2
3517E	Pick "Novum": Angel Blade, 0.5 mm	2
3479E	Tension Tool, 13.35 cm	1
3480E	Tension Tool, 5.7 cm	1
3488	Tension Tool, 1.9 cm	1
3491	Tension Tool, 3.8 cm	1
CD-4000	CD-ROM "ZIEH-FIX® Electro-Pick"	1

Delivery in a plastic operation case.

Order No. 3600EC

Complete Set:

Order No.	Description	Quantity
	ZIEH-FIX® Electronic-Pick	1
3516E	Pick "Novum": Straight Blade, 0.5 mm	2
3517E	Pick "Novum": Angel Blade, 0.5 mm	2
3479E	Tension Tool, 13.35 cm	1
3480E	Tension Tool, 5.7 cm	1
3488	Tension Tool, 1.9 cm	1
3491	Tension Tool, 3.8 cm	1
3498E	Torque & Tension Tool	1
3501E	Schließrotorbeschleuniger "Flipper"	1
3620	ZIEH-FIX® Pick-Needle Set "Novum"	1
3670	ZIEH-FIX® Pick-Needle Set "Car"	1
CD-4000	CD-ROM "ZIEH-FIX® Electro-Pick"	1

Delivery in plastic operation case.

Order No. 3600EC-SK

The handle of the new ZIEH-FIX® Electronic-Pick is compatible with the gear head of the ZIEH-FIX® Electro-Pick II



ZIEH-FIX® Pick Needle Set "Novum"

As a forerunner of the Electro Pick method we collected invaluable experiences in our daily work and noticed that it was necessary to develop more pick needles in various shapes apart from the three most common ones. Especially when confronted with complicated lock cylinders difficult to pick, only the use of laser-cut pick blades made from hardened stainless steel may lead to success. These pick blades can be used with the Electro Pick and with a handle. The different pick needles allow the use of the Electro Pick in locks with narrow or complex keyways and also in locks with extreme lock codes.

The set comes in a leather case and contains 39 picks of stainless steel (3 pcs. of each form), 1 tension wrench and 1 handle for the use as a handpick.

- 13 new pick blades with special shapes can raise the probability of success!
- Made in Germany – developed and produced by A. Wendt GmbH



Order No. 3620

All pick needles are also available separately:

Order No. 3515E		Pick "Novum": Rake Tip, diamond, 5 peaks
Order No. 3516E		Pick "Novum": Straight Blade
Order No. 3518E		Pick "Novum": Curved Blade
Order No. 3621E		Pick "Novum": Rake Tip, 1 peak
Order No. 3622E		Pick "Novum": Rake Tip, 2 peaks
Order No. 3623E		Pick "Novum": Rake Tip, 3 peaks
Order No. 3624E		Pick "Novum": Rake Tip, half peak
Order No. 3625E		Pick "Novum": Rake Tip, change
Order No. 3626E		Pick "Novum": Rake Tip, 6 peaks
Order No. 3627E		Pick "Novum": Rake Tip, Diamond Tip
Order No. 3628E		Pick "Novum": Rake Tip, 6 peaks, double-edged
Order No. 3629E		Pick "Novum": Rake Tip, 5 peaks
Order No. 3630E		Pick "Novum": Rake Tip, Half Ball Tip
Order No. 3516E-L		Pick "Novum": Straight Blade, long Length: 70 mm, Usable Length: 50 mm For cylinders with deeper insertion or over-length keys
Order No. 3640	Handle for Order No. 3515E – 3630E	

Subject to alterations in individual cases!

ZIEH-FIX® Pick Needle Set "Car"

Set with special pick blades for picking vehicle locks. Also usable on certain furniture locks. The set contains 14 parts in a leather case and will work on many car boot and door locks since the pick blades can be used on most single-sided and double-sided wafer locks.

- Made in Germany – developed and produced by A. Wendt GmbH
- Only for locks with flat keys, not for locks with milled or sidewinder type keys!
- Hardened Stainless Steel Blades
- 12 Pick Blades in different styles
- 2 Tension Tools
- The pick blades also fit the Electro Pick and the Pick Gun



Order No. 3670

All pick needles also available separately:

Order No. 3671E		Pick "Car": Style 1
Order No. 3672E		Pick "Car": Style 2
Order No. 3673E		Pick "Car": Style 3
Order No. 3674E		Pick "Car": Style 4
Order No. 3675E		Pick "Car": Style 5
Order No. 3676E		Pick "Car": Style 6
Order No. 3677E		Pick "Car": Style 7
Order No. 3678E		Pick "Car": Style 8
Order No. 3679E		Pick "Car": Style 9
Order No. 3680E		Pick "Car": Style 10
Order No. 3681E		Pick "Car": Style 11
Order No. 3682E		Pick "Car": Style 12

Subject to alterations in individual cases!

Order No. 3640 Handle for Order No. 3671E – 3682E

Multipick-System



The Multipick-System works with a special pick blade – inserted in the Multipick's blade holder – which is entered into the keyway.

This pick blade is then set into high-frequency vibrating motion (approx. 44,000 vibrations/min.). Using the right angle of attack, this high-frequency vibration is transmitted on the pin-tumblers within the cylinder lock. The, thus, vibrating pins level at shear line (i.e. at the top of the plug) freeing the plug for rotation, just as if the lock had been opened by a corresponding key.

Multipick-System Complete Set, 24 Volt

Included components:

- Multipick handheld tool incl. blade holder for "flat" pick blades
- 24 Volt rechargeable battery-pack
- Electronically regulated 12 Volt charger
- 50 pick blades "flat"
- 2 tension-tools
- Allen wrench, 3 mm
- Instruction manual

Order No. MP-CON

Order No. MP02

Multipick-Control 2003 Opening System, 24 Volt

Contains:

Set contains the items described for Order No. MP02 plus Multipick-Control 2003

Multipick-Control 2003



Order No. MP-CA

Our studies have shown that the optimal frequency of vibration needed to unlock cylinder locks vary from producer to producer. The reason for this is, among other things, that different producers use springs of different strength and pin tumblers of different weight in the production of their cylinder locks etc.

In order to make the successful use of our Multipick-System programmable Multipick-Control rechargeable battery-pack was developed.

Multipick-Control 2003 Highlights:

- Standard-Mode:** Standard mode with high-speed performance
- Wobble-Mode:** In this mode the frequency of the pick blade is constantly changing in ranges of 1/100 seconds. The switch-times between different frequencies are exactly adjustable by the use of a round controller and are sure to make the pins dance waltz. This mode allows the picking of cylinder locks with extremely complicated pin sets.
- Manual-Mode:** Stepless adjusting of frequency with the round frequency controller.
- High Capacity:** The integration of new rechargeable cells of extra-high capacity provides the Multipick-Control with an even longer time of use, approx. 4-5 hours.

Bump Keys

The so called Bump Key Technology enables everyone the opening of standard lock cylinders in door locks. The lock is not damaged in the process. Bump Keys can be manufactured for all current standard cylinders. They then fit the respective cylinder type of one manufacturer. All doors which are fitted with this type can easily be opened with some light beats. The tool to be used for this is the "TOMAHAWK".

- *Everyone can master this technique within a short time*

Especially for lock cylinders in the lower price segment of nearly all manufacturers the Bump Key Technology is successful.

The standard construction of lock cylinders simplifies the use of the Bump Keys. They are milled in a way that the V-form incisions lie in one layer and have a certain depth in dependence to the cylinder. Through the beat on the key the core pin presses the lower housing pins which are mounted on a spring to their knees, so to speak. As the key is held slightly twisted those pins bounce back exactly into the position they should be in for opening.

"TOMAHAWK" - Bump Key Hammer

The successful bump key technique depends on many factors. Therefore it is necessary to carry out the kind of knocks well measured and differentiated. Tomahawk brings the necessary conditions thanks to its balanced weight distribution and its flexibility, to develop an optimal knocking effect in this technique.



- *Ideal knocking tool for bump key technique*

Weight: 54 g - Length: 207 mm

Order No. 3100

Bump Keys

Set contains 10 pcs. Standard Bump Keys for:

- | | |
|-------------------------------------|----------------------|
| 3 x Zeiss/Ikon (ZE 6; ZE 6D; ZE N1) | 1 x Trelock (TOK 6D) |
| 1 x Abus (ABU 41D) | 1 x Wilka (WIL 4D) |
| 1 x BKS (BK 6D) | |
| 1 x CES (CE 7D) | |
| 1 x DOM (DOM 2D) | |
| 1 x Fliether (KFV 1) | |

Additional Bump Keys on request!

Order No. 3111-Key-Set

Bump Key Set

Set contains Bump Keys (Order No. 3111-Key-Set) and the Bump Key Hammer "TOMAHAWK" (Order No. 3100)

Order No. 3111

Upper Part for Plug Spinners

Plug Spinners with upper parts are used after successful bumping the lock.

The Plug Spinners are tightened according to the necessary rotation direction of the cylinder lock and after the release the cylinder plug spins so fast that the pins do not drop back into the pin's drill holes to block.



Order No. 3105

ZIEH-FIX® Adaptor “Dimple Key System”

Electro Pick Adaptor for Dimple Key Systems.
An ideal supplement to the Electro Pick.

- 1 Holder
- 8 Pick Blades
- Stainless Spring Steel
- 1 Allen Wrench

Order No. 3639



Pick Guns

With strike upward:

- Uses the percussion principle
- Needs a lot of sensitivity
- Suitable for pin and disc tumbler locks with great tolerances
- 3 Pick Needles, 1 Tension Tool

Order No. 1083



With strike downward:

- Strikes in the lower direction, especially suitable for European locks!
- Uses the percussion principle
- Suitable for pin and disc tumbler locks with great tolerances
- 3 Pick Needles, 1 Tension Tool

Order No. 1083-RGN



Optional:

Pick Needles:

Pick “Novum”: Straight Blade, .030" / 0.8 mm

Order No. 2701E

Pick “Novum”: Angel Blade, .030" / 0.8 mm

Order No. 2702E

- Training needles for Electro Pick
- Suitable for wide keyways

Belt loop with snap

- Separate pocket for tension tools and replacement needles

Order No. 1083-HLS



Pick Guns

- New generation!
- Pick with vertical direction
- 2-section trigger
- Replace needle faster
- Especially suitable for European locks!
- Uses the percussion principle
- Suitable for pin and disc tumbler locks
- 10 Pick Needles, 5 Tension Tools

This pick gun picks pins in vertical direction unlike conventional pick gun goes in curve. Which means all pins in the cylinder will be hit at one time helping to open lock faster and more successful.

Special designed 2-Section trigger:

1 light pull = 1 vertical hit

1 stronger pull = 2 vertical hits

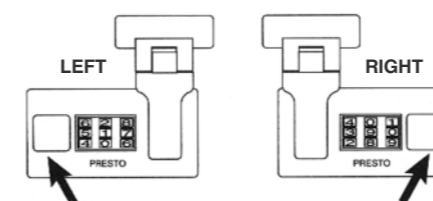
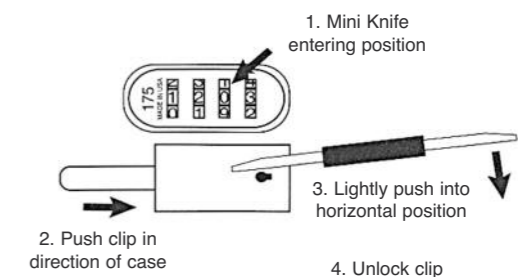
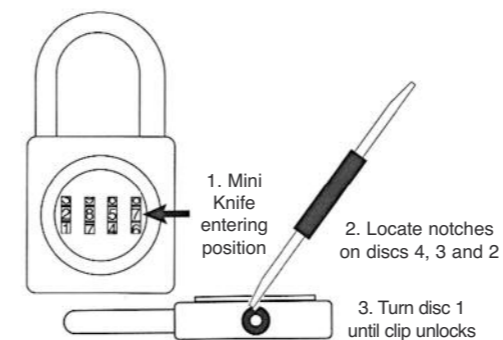
Bestell-Nr. 1083-RGN-K880



Mini Knife

The mini knife allows the non-destructive opening of various combination locks by checking the number discs.

- For padlocks, letter box locks, suitcase and briefcase-locks (Master®, Presto®, Corbin, Sesamee etc.)



Mini Knife, small, double-sided

Order No. GL1010T



Impressioning Technique

Impressioning Kit

Make a key without knowledge of the code or key pattern and without dismantling of the lock.

- **The sophisticated choice in opening techniques**

Order No. 3850



Kit contains:

Order No.	Description
3055	Book "Basic Impressioning", German
3800-010	Magnifying glass with measuring scale, 8x
3800-020	LED Light and Handle for Order No. 3800-010
3814	Key File, 2/140 mm, Half Round Tarpered
3819	File Handle
3820	Impressioning Pliers

Order No.	Description
3900	Key Blank for Abus 20
3910	Key Blank for BKS 2
3920	Key Blank for CES 18
3930	Key Blank for Dom 72
3940	Key Blank for Vliether 2
3950	Key Blank for Trelock 2
3960	Key Blank for Wilka 6
3970	Key Blank for Zeiss/lkon 10
3980	Key Blank for Zeiss/lkon 11
3990	Key Blank for Zeiss/lkon 12

Order No. 3900 to 3990 in package with 10 pieces!

Impressioning Set

Basic equipment, if sufficient basic knowledge and key blanks exist.

Set contains:

Order No.	Description
3814	Key File, 2/140 mm, Half Round Tarpered
3819	File Handle
3820	Impressioning Pliers



Order No. 3849

UV Light-Set

Set contains UV light system and fluorescent pen for preparation of blanks.

Order No. 3852

Fluorescent Pen, separately

Order No. 3854



Impressioning Handles

For this technique specially designed handles for gripping and working on the key blank.

- **Ergonomic grip**
- **Allows strong connection with key blank**

Tubular Impressioning Handle

Order No. 3817

Impressioning Handle

Order No. 3818

"Framon" Impressioning Handle

Order No. IMMS001

Impressioning Handle "Clean Grip"

Order No. CGIT-10



Impressioning Handle "Government"

Our brand new impressioning handle version "Government" was developed for Government agencies and most of our governmental costumers does not want to miss this tool because its strong grip as well as its ergonomic design support them in their daily work.

For a long time we only sold our impressioning handle only to official authorities from all over the world. But now we also decided to sell the handle on the public market

- **Strong grip - ideal to clamp in key blanks for impressioning**
- **Adjustable**
- **Delivery without light!**

Order No. P6601-CCD

Available separately:

Light for Impressioning Handle "Government"



Order No. P6601-CCD-Light



Example: Impressioning Handle "Government" with mounted light

Impressioning Plier

Unlike conventional locking pliers, this plier has been remachined to lock onto a key blank, providing a secure hold for more effective impressioning and filing.

- **Designed to lock onto a key blank**
- **Secure hold**



Order No. 3820

Key File

Key File, 2/140 mm, Half Round Tapered
Delivery without File Handle!



File **Order No. 3814**

Optional
File Handle **Order No. 3819**

Magnifying Glasses

Magnifying glass with measuring scale, 8x

Magnifying glass from impact resistant transparent plastic

- **With exchangeable scale glass**

This easy to handle tool allows an extensive view of the key and allows the viewer to determine the physical measurements, the angle and the depth of the cuts, the gaps etc. All data is clearly readable on the scale.

Aplanatic lens system, scratch-resistant silicate lenses. High contrast illustration. Can be combined with measuring scale and LED light.

Vario Focus, diopter adjustment up to +/- 4 dpt possible.
– especially for spectacle wearers.

Delivery in Alu-storage-box.

Order No. 3800-010

LED Light and Handle

Easy recording system for bright illumination.
Due to the rotation of the handle the illumination direction is alterable.

Order No. 3800-020



Delivery without magnifier!

Magnifying Glasses

Quadview Plus 2™

Whether you are impressioning keys, inspecting lock parts or working on time lock movements, you'll appreciate the sharp, clear magnification and illuminating side lights on this product. In this model, the side lights and lens options are built-in and easily accessible.

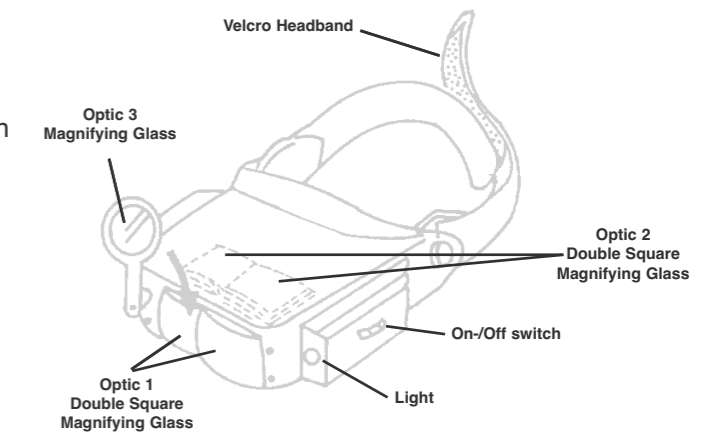
Four levels of magnification are built in:

- Lens 1** – **Magnification 1.8**
- Lens 1+2** – **Magnification 2.3**
- Lens 1+3** – **Magnification 3.7**
- Lens 1+2+3** – **Magnification 4.8**

The Quadview Plus 2 is lightweight in design with an adjustable velcro headband. You can work for hours without discomfort.

Delivery includes 2 Bulbs 2,2 V/0,25 A
Batteries (4 x AAA, 1.5 V) are not included!

Order No. LKMLP23II



Mould and Casting Technique

“Quick-Key”

Large casting set to duplicate keys of all kinds without having the original key at hand. Duplication of keys using this method can be accomplished in approx. 20 minutes.

- **Duplication key exactly as the original key**
- **Metal moulding form guarantees strong hold of blank!**

Order No. 3855

Set contains:

- 1 metal moulding form
- 2 key holders
- 1 screwdriver
- 1 knife
- 1 small gas burner
- 1 bottle butane gas
- 1 spatula
- 1 mixing bowl
- 2 syringes (large and small)



- 1 casting ladle
- 1 bottle hardener
- 1 bottle linking agent
- 1 tin moulding material
- 1 casting alloy
- 1 carrying case



Mould and Casting Technique

Most common key forms can be replicated with the moulding and casting forms of the Clam-Kits. These sets contain everything needed to mould and cast keys.



Small Clam Kit "LKM 2092"

Set contains:

- 1 small plastic moulding/casting form
- 1 piece modelling clay
- 1 bottle talcum powder
- 1 candle
- 1 spatula (stainless steel)
- 1 casting ladle
- 1 piece casting alloy
- 1 carrying case

Order No. LKM2092



Large Clam Kit "LKM 1178"

Set contains:

- 1 large plastic moulding/casting form
- 1 piece modelling clay
- 1 bottle talcum powder
- 1 candle
- 1 spatula (stainless steel)
- 1 casting ladle
- 1 piece casting alloy
- 1 carrying case

Order No. LKM1178



Deluxe Clam Kit "LKM 1187"

Set contains:

- 2 small plastic moulding/casting forms
- 2 large plastic moulding/casting forms
- 1 piece modelling clay
- 1 bottle talcum powder
- 1 candle
- 1 spatula (stainless steel)
- 1 casting ladle
- 2 pieces casting alloy
- 1 carrying case
- 1 notepad

Order No. LKM1187

Cross Picks

Cross Pick

- **Modified new version**
- **For locks with 6, 9, 12, 15 and 18 pins**
- **For Nemef, Ikon, Gera etc.**

Order No. 3500E



Cross Pick – Europa 1

- **With long shaft**
- **Exchangable feeler shaft and tension wrench**

Order No. 3500E1



Cross Pick – Europa 2

- **With wavy picks**
- **For extreme pin systems**

Order No. 3500E2



Cross Pick

- **Long shaft version**

Order No. 3500-PEG



Cross Pick "Black Fighter"

The tips of this cross pick are made of strong carbon steel.

The tool is delivered with 2 tension wrenches so it can be fitted into different sized cross cylinder locks and can be used on different thick doors.

- **2 Tension Wrenches**

Long tension wrench: 1.732"/44 mm; 0.236"/6 mm diameter
Short tension wrench: 0.945"/24 mm; 0.197"/5 mm diameter

Order No. 3500-RGN



Decoder for ABUS Granit

- **New design - Made in Germany**
- **New ergonomic tension handle**
- **All connection elements with metric screw thread**

Using this tool is relatively simple thanks to its easily readable depth scale. Still, in order to be successful some practice is required.

Order No. 0780E



Our Own Production!

Injection Pick for MUL-T-LOCK

The pick of this high-quality tool precisely attack the pins of the MUL-T-LOCK and makes it possible to bring them into the unlocking position.

- **through cuts in the guide of the feeler, the feeler is automatically positioned correctly for the manipulation of the individual pins**
- **for Mul-T-Lock Profile Cylinders with standing pins on the right side**

Order No. 0702-HM-6-PIN-RH



Pick and Decoder for MUL-T-LOCK



- **For opening and decoding**
- **Opening time of less than 10 minutes possible**
- **Automatic calibration during insertion in the keyway of the lock**
- **Decoding allows the making of a duplicate key**



Pick and Decoder for MUL-T-LOCK, Standard right
To open and decode standard and interactive 5 telescope pins, keyway right

Order No. 5505



Pick and Decoder for MUL-T-LOCK, Standard left
To open and decode standard and interactive 5 telescope pins, keyway left

Order No. 5507



Pick and Decoder for MUL-T-LOCK, Garrison
with 7 standard pins, keyway right

Order No. 5508

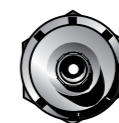
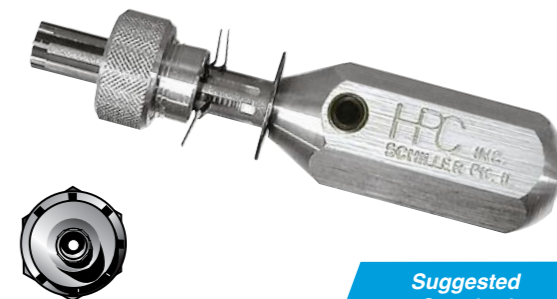
Tubular-Picks

TLP-C Modell B Standard Diameter

For Standard Size Tubular Locks, 7 Pins.

- **Aluminum handle**
- **Stainless steel barrel**
- **Spring steel feelers**
- **Design permits infinitely variable tension against the feelers**

Order No. 3531



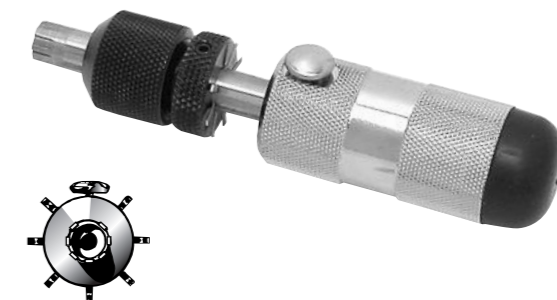
Suggested Standard Tool

TLP-7S Bike

The tool works on 7-pin center locks including the small bore size. The TLP-7S Bike features the Quick Reset button; just push the button and pump the barrel to reset the pick.

- **To open anti-theft devices on bikes, motorcycles, steering wheel locks and foot pedal locks in cars.**
- **Aluminum handle**
- **Stainless steel barrel**
- **Spring steel feelers**

Order No. 3552



Pick for Russian Locks

For the manipulation of disc lock cylinders with a similar construction to the Abloy cylinders. Also for various Chinese products!

Order No. 0690 RU



Kabbah AB Foil Tool - Impressioning Set



The 11 pieces set allows producing prefabricated dimple pin impressioning keys in simple steps without profound knowledge. The cylinder can be opened in seconds by inserting and rotating the impressioning key in both directions.

The set for 1 and 2 rows dimple pin cylinders also contains blades for in Europe existing brands:

- **BASI, BKS, DOM, FAC, ISEO, LINCE, MCM, MUL-T-LOCK, TESA, UCCEM, WILKA**

Order No. 0710

MAGIC KEYS

- Each Magic Key has been developed explicitly for a specific lock!



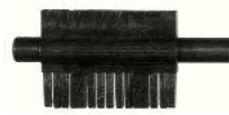
Insert the impression key into the lock and rotate all the way to the stop and stay in touch.

With swinging movements the moveable pins can be brought into the necessary position to open the lock.

Specially designed self-impressing keys with moveable pins for each lever.



4 + 4



3 + 5 + 3



6 + 6

MAGIC KEYS are available for:

Order No. (for single one in a box)

MAGIC KEY 01E	6 + 6	Mottura, Klass, Gardian, Elbor, Atra, CR
MAGIC KEY 02E	+ 6 +	Mottura - Nucleo
MAGIC KEY 03E	3 + 3	Mottura, Lince, ELP (Kazan)
MAGIC KEY 04E	6 + 6	Securemme
MAGIC KEY 05E	3 + 3	Securemme, CAM, Juwel
MAGIC KEY 06E	3 + 5 + 3	Cisa, Stavr
MAGIC KEY 07E	3 + 3	Cisa
MAGIC KEY 08E	4 + 4	CAM, Boda-428, Abloy, Juwel
MAGIC KEY 09E	4 + 4	Guardian, Elbor-Lazurit
MAGIC KEY 10E	3 + 3	Elbor, Rex Klass
MAGIC KEY 11E	6 + 6	ELP (Kazan)
MAGIC KEY 12E	7 + 7	Potent 7000
MAGIC KEY 13E	+ 7 +	Mottura Safe
MAGIC KEY 14E	+ 6 +	ISEO
MAGIC KEY 15E	6 + 6	FIAM
MAGIC KEY 16E	6 + 6	MUL-T-LOCK
MAGIC KEY 17E	4 + 4	Juwel Safe
MAGIC KEY 19E	4 + 4	Gold Key, Technomax Safe
MAGIC KEY 20E	+ 8 +	Potent Viper
MAGIC KEY 21E	+ 10 +	Ezcurra +10+
MAGIC KEY 23E	4 + 4	KALE
MAGIC KEY 24E	6 + 6	Ezcurra
MAGIC KEY 25E	3 + 3 (4 + 4)	Mottura
MAGIC KEY 26E	3 + 3	MCM Safe
MAGIC KEY 27E	+ 4	FAG Safe
MAGIC KEY 28E		Potent 2500 14 pins

MAGIC KEY SPR 9 SC	Movable Pin / Feeler 9 mm	(9,0 x 1,10 x 1,25 mm)
MAGIC KEY SPR 12.5 SD	Movable Pin / Feeler 12,5 mm	(12,5 x 1,10 x 1,25 mm)
MAGIC KEY SPR 13 NC	Movable Pin / Feeler 13 mm	(13,0 x 1,25 x 1,25 mm)
MAGIC KEY SPR 16 NC	Movable Pin / Feeler 16 mm	(16,0 x 1,25 x 1,25 mm)
MAGIC KEY SPR 17 NC	Movable Pin / Feeler 17 mm	(17,0 x 1,25 x 1,25 mm)
MAGIC KEY SPR 18.5 SD	Movable Pin / Feeler 18,5 mm	(18,5 x 1,25 x 1,25 mm)

MAGIC KEYS



Single

e.g. MAGIC KEY 01E

MAGIC KEYS are available as a single one or as a kit of two.

Single Box contains:

- 1 pc. Case with foam-insert
- 1 pc. Magic Key with feelers
- 1 pc. Handle for Magic Key (black)
- 1 pc. Assembly Pin for Magic Key
- 10 pcs. Feelers (replacements)

Kit contains:

- 1 pc. Case with foam-insert
- 2 pcs. Magic Key with feelers
- 2 pcs. Handles for Magic Key (black/white)
- 1 pc. Assembly Pin for Magic Key
- 20 pcs. Feelers (replacements)

If you want to order a kit please expand the Order No. of the single one with the addition KIT!



Kit

e.g. MAGIC KEY 01E KIT



MAGIC KEY SET in case contains:

- 1 pc. Magic Key 01E
- 1 pc. Magic Key 02E
- 1 pc. Magic Key 03E
- 1 pc. Magic Key 04E
- 1 pc. Magic Key 05E
- 1 pc. Magic Key 06E
- 1 pc. Magic Key 07E
- 1 pc. Magic Key 08E
- 2 pcs. Handles
- 1 pc. Assembly Pin
- 40 pcs. Movable Pins / Feelers 11,0 mm
- 10 pcs. Movable Pins / Feelers 12,5 mm

Order No. MAGIC KEY SET 01E-08E

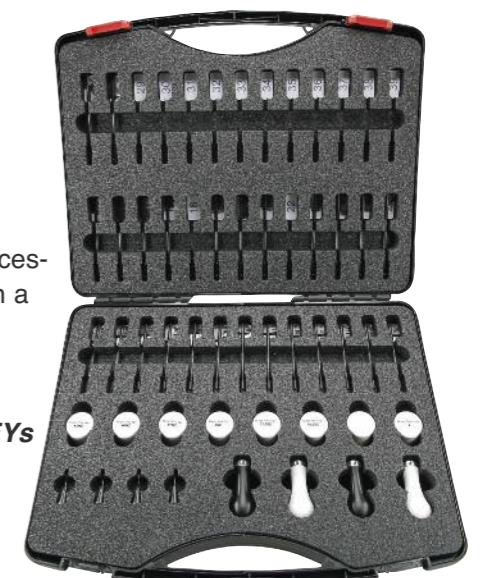
The set can also be fitted individually!



Our Big!

26 MAGIC KEYS with accessories clearly arranged in a plastic case.

Order No. MAGIC KEY SET 26 KEYS



Kitbor Chubb Lock Opening Set



With this tool it is possible to open high security systems with double bitted keys without destruction and to produce a duplicate key with the included templates.

The bolt mechanism of the lock is put under tension with the counterbalance bar and the counterweights.

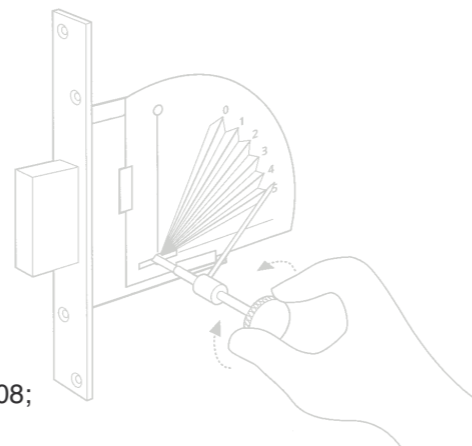
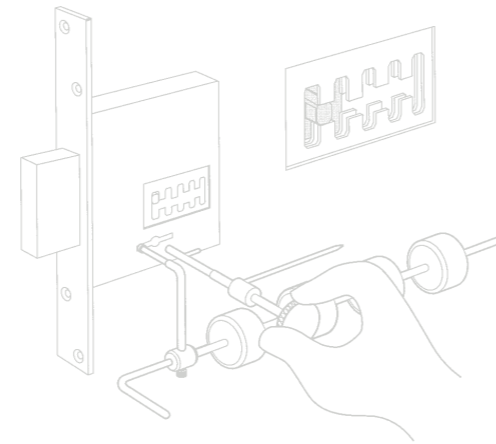
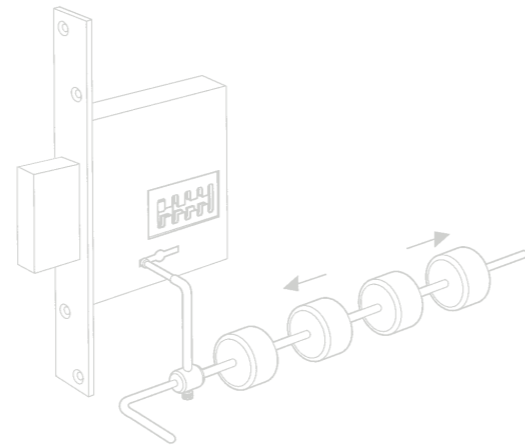
With the opener which includes a measurement indicator the levers of the lock will be moved into the right position for opening.

Using the template that is fixed to the lock it is now possible to read the necessary depth of the key cuts.

Order No. 0720

The set contains:

Order No.	
0721	Bolt Tension Tool, big, for CR 2251; MOTTURA 771, 571, 42751
0722	Bolt Tension Tool, for EZCURRA M70
0723	Bolt Tension Tool, small, for MCM: 1.108, 1.813, 808; META; FAC: 480; LINCE: 25610, 25600; CISA: 57010, 57018, 57211, 57220, 57250, 57255; JUWEL-UCEM: 1004, 1006, 1108, 1176; FIAM: 3136; SAB: 510; SECUREMME: 2000, 2002
0730-08	Sensing Device "Largo"
0730-09	Sensing Device "Corto"
0730-10	Sensing Device "Torneado"



Kitbor Bolt Tension Tools

Additional Tools for the Kitbor:

Bolt Tension Tool for Lock CISA 57115

Necessary, if the lock has to be unlocked through the door.

Order No. 0731

Bolt Tension Tool for Lock MIA ATRA 6511-DF and LINCE 21631

Order No. 0732



Further available Bolt Tension Tools, not pictured:

Order No. 0724	Bolt Tension Tool for Lock CERRUTI
Order No. 0725	Bolt Tension Tool for Lock SAB and Meroni 610/2
Order No. 0726	Bolt Tension Tool for Lock MOTTURA 779
Order No. 0727	Bolt Tension Tool for Lock MOTTURA 771, new
Order No. 0728	Bolt Tension Tool and Sensing Device for Lock ACYTRA
Order No. 0729	Bolt Tension Tool for Lock MAUER DEKABA, 8 levers
Order No. 0734	Bolt Tension Tool for Lock SAB 1580
Order No. 0735	Bolt Tension Tool for Lock CISA 57535 and CISA 57685
Order No. 0736	Bolt Tension Tool for Lock CR 2251/28
Order No. 0737	Bolt Tension Tool for Lock CR 8000 and CR 4000, double

Precision Tubular Picks

The following Precision Tubular Picks were developed in our company.

Tubular locks manufactured in Europe made it necessary that the individual feelers could be adjusted and locked in place according to the requirements.

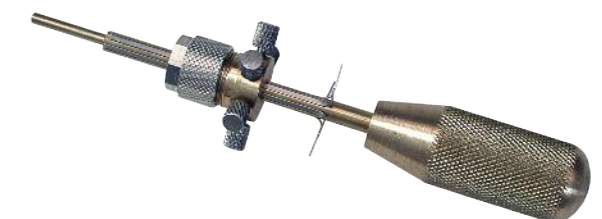
This fine tuning is possible with the following tubular picks.

- **Hand made precision tools**
- **Very easy handling, even with high-quality tubular systems**

Tubular-Decoder "LAPERCHE", 5 pins

- **For locks of "LAPERCHE"**
- **5 pins**
- **6 mm Diameter**

Order No. 0738



Precision Tubular Picks

Tubular-Decoder "TOY", 6 pins

- For locks of "TOY"
- 6 pins
- 10 mm Diameter

Order No. 0739



Tubular-Decoder "AGA", 7 pins

- For locks of "AGA"
- 7 pins
- 10 mm Diameter

Order No. 0740



Tubular-Decoder "AGA", 8 pins

- For locks of "AGA"
- 8 pins
- 12 mm Diameter

Order No. 0743



Tubular-Decoder "SERRALLER"

- For locks of "SERRALLER"
- 6 pins
- D-Profile in keyway

Order No. 0744



Tubular-Decoder "STARK"

- For locks of "STARK", "KEYMAT" and "BILMA"

Order No. 0745



Precision Tubular Picks

Tubular-Decoder "SIDESE"

- For locks of "SIDESE" und "FONTAINE"

Order No. 0746



Tubular-Decoder "MERONI"

- For locks of "MERONI"
- Most used Tubular Lock in Europe

Order No. 0747



Tubular-Decoder "LYF"

- For locks of "LYF" und "SEGURIDAD"
- 7 pins
- 10 mm Diameter

Order No. 0748



Tubular-Decoder "TSAG"

- For locks of "TSAG"
- 6 pins
- 8 mm Diameter

Order No. 0749



Tubular-Decoder "INCECA"

- For locks of "INCECA"

Order No. 0765



Precision Tubular Picks

Tubular-Decoder "SERRALLER"

- For locks of "SERRALLER-STAR"

Order No. 0753



Hobbs'sche Hooks & Picking Tools

Hobbs'sche Hook "JLV" WH28C02

A 2-in-1 pick for unlocking lever locks like "ARCU" and "BTV" locks.
The set includes a special cobalt cutter (7.5 mm diameter) with hollow tip and depth stop. It also includes some little rings.

- Complete Set

Dragging sleeve: 122 mm long
Feeling sleeve: 86.5 mm long
Outside feeler diameter: 7 mm
Outside dragging sleeve diameter: 5.5 mm
Hole depth: 30 mm
Inner hole diameter: 3.97 mm



Cobalt cutter:
Double cut, Depth stop
7.5 mm diameter, 75 mm long

Box with 10 service rings

Order No. 4739-A

Hobbs'sche Hook "JLV" V-INJ I

A special pick for unlocking double-sided lever locks, usually installed in roller blinds and safe locks such as:

- "BTW", "MCM LINCE", "CR", "IDM", "ET" etc.

Order No. 4739-B



Hobbs'sche Hook "JLV" V-INJ II

A special pick for unlocking double-sided lever locks, usually installed in door locks such as:

- "CISA", "ARREGUI" etc.

Order No. 4739-C



Hobbs'sche Hooks & Picking Tools

Hobbs'sche Hook "JLV" V-INJ III

A special pick for unlocking the "MOTTURA Nucleo Compact" lock.

- You can get the key at the same time you do the unlocking

Order No. 4739-D



Hobbs'sche Hook "JLV", "ARFE"

A 2-in-1 pick with hollow tip for unlocking the lever locks of "ARFE".

Dragging sleeve: 122 mm long
Feeling sleeve: 86.5 mm long
Outside feeler diameter: 7 mm
Outside dragging sleeve diameter: 5.5 mm
Hole depth: 30 mm
Hole inside diameter: 3.97 mm

Order No. 4739-E



Hobbs'sche Hook "JLV", "FERRIMAX"

A 2-in-1 pick with hollow tip for unlocking the lever locks of "FERRIMAX".

Dragging sleeve: 193 mm long
Feeler sleeve: 83 mm long
Outside diameter: 7 mm
Inside diameter: 5.5 mm
Hole depth: 39 mm
Hole inside diameter: 3.9 mm

Order No. 4739-F



Hobbs'sche Hook "JLV", "CAJA"

A 2-in-1 pick with normal tip for unlocking lever locks.

- Small safe and vault locks
- Padlocks

Dragging sleeve: 135 mm long
Feeling sleeve: 56 mm long
Dragging tip: 11.2 mm
Feeler tip: 11.2 mm
Outside diameter: 4 mm
Dragging rod diameter: 3.2 mm

Order No. 4739-G



Hobbs'sche Hooks & Picking Tools

Hobbs'sche Hook "JLV", "CORTO CAJA"

A 2-in-1 pick with hollow tip for unlocking lever locks.

- **Small safe and vault locks**

Dragging sleeve:	92 mm long
Feeling sleeve:	56 mm long
Hole inside diameter:	4 mm
Hole depth:	25.5 mm
Outside diameter:	6.85 mm
Inside diameter:	5.45 mm

Order No. 4739-H



Hobbs'sche Hook "JLV", "CAJA FAC"

A 2-in-1 pick with normal tip for unlocking lever locks of "FAC".

Dragging sleeve:	121 mm long
Feeling sleeve:	85 mm long
Double dragging	
Outside feeler diameter:	5 mm
Dragging rod diameter:	3.2 mm

Order No. 4739-I



Hobbs'sche Hook "JLV"

A 2-in-1 pick with hollow tip for unlocking lever locks.

Dragging sleeve:	122 mm long
Feeling sleeve:	86.5 mm long
Outside dragging sleeve diameter:	7 mm
Outside feeler diameter:	5.5 mm
Hole depth:	30 mm
Hole inside diameter:	3.97 mm

Order No. 4739-J



Hobbs'sche Hook "JLV", "Olle"

- **For locks of "Olle"**

Order No. 4739-K



Door Handle Opener

This tool makes it possible to reach the inside door handle through the keyhole.

- **Only for systems with double bitted keys**
- **For locks of CISA, Mottura, FAC, CR, Juwel, Ezcurra, etc.**

Order No. 0705



Decoder "EZCURRA"

The decoder for "EZCURRA" locks with picking protection uses the "Hobbs'sche Hook" principle. The cleverly thought-out mechanics avoids the picking protection.

- **For extra secure locks**

Order No. 0711



Decoder for KALE locks



With this tool it is possible to read the code of KALE locks with double bitted keys without destruction and to produce a duplicate key with the included key parts.

The bolt mechanism of the lock is put under tension with the counterbalance bar and the counterweights. With the decoder which includes a measurement indicator the levers of the lock will be moved into the right position for opening.

Using the template that is fixed to the lock it is now possible to read and make a note of the necessary depth of the key cuts.

Use this notes to arrange a key with the components contained in the set.

Order No. 0720-PEG

LOCKMASTER® Buckle

A special decoration for your working clothes.

- **Original LOCKMASTER® Buckle**
- **Finest filigree shaping**
- **Robust steel, silver coloured**

Order No. 3005



LOCKMASTER® I.D. Badge Case

On the first side of the case there is a window that protects an identification card and on the second side you find the "LOCKMASTER®" Star.

- **Shirt Pocket Size (Closed):**
10.5 x 8.5 cm
- **Diameter of the "Lockmaster®" Star:**
5.5 cm

Order No. 3007



Key Files



Six different shapes of files (Round Tapered, Rectangular Straight, Square Tapered, Warding Papered, 3-Square Tapered and Half Round Tapered) fitted with wooden handles that are common in the locksmith trade where a small precision pattern file is required.

- **Proved for years**

Key File Set in Plastic Case

Order No. 3816



Key File Set in Tin Case

Order No. 3815

Vice

For clamping tools and keys – especially made for portable use.

- **Adjustable in all directions**
- **With table clamp**

Order No. 1960



Vice for Car Locks

This vice was developed to fix all type of car locks and is characterized by its enormous flexibility and adjustability.

However this vice can also fix various kind of objects like euro profile cylinders, round cylinders and so on.

So this special vice is one of the best aid to train lock picking on car locks, euro cylinders as well as normal locks.

- **Can also fix various kind of objects**

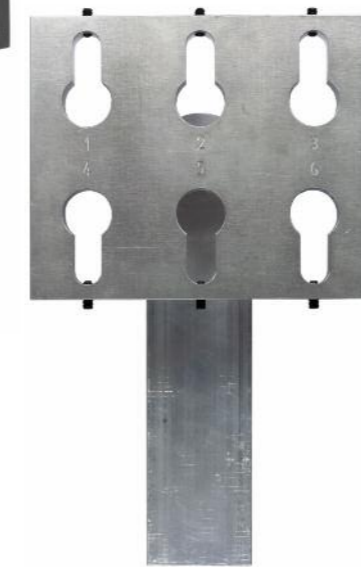
Order No. LishiVice



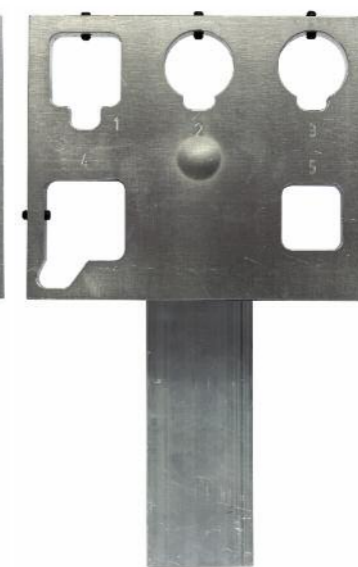
Trainingboards



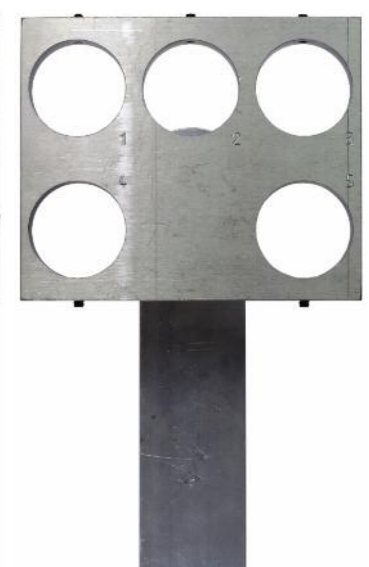
- **Trainingboards for Lockpicking**
- **With recesses for admission of common profile cylinders**
- **Locks not included in the delivery!**



For common profile cylinders
Order No. 24000



For common car locks
Order No. 24001



For common round- and
pin tumbler locks
Order No. 24002

Spacer Ring Set for the Trainingplate, Order No. 24002,
(for round- and pin tumbler locks)



Contents 5 spacer rings:

- 1 pc. Order No. 24003A = 29,2 mm dia. Among others for CISA, LIPS, YALE
- 2 pcs. Order No. 24003B = 28,2 mm dia. Among others for CISA, LIPS, YALE
- 1 pc. Order No. 24003C = 25,0 mm dia. For CISA 25 mm locks
- 1 pc. Order No. 24003A = 19,0 mm dia. Among others for tubular locks

Order No. 24003

Special Operations Mat

Special Operations Mat

This product is specially made for Government clients for working in front of a door or when installing electronics in or under cars or in front of houses and buildings. Generally tools are required for these jobs and in case of an emergency or abrupt exit no tools should be left behind.

This working mat is the low budget version.

Order No. MAP-AGE 1.0



The mat is placed on the floor and the tools can be spread out on the work surface. The round mat has a rope around its outside and in case of a disturbance the mat will fold like a bag by pulling on the rope. All tools which are placed on the mat are inside the bag now. The working mat has a separate part which can be unfolded.

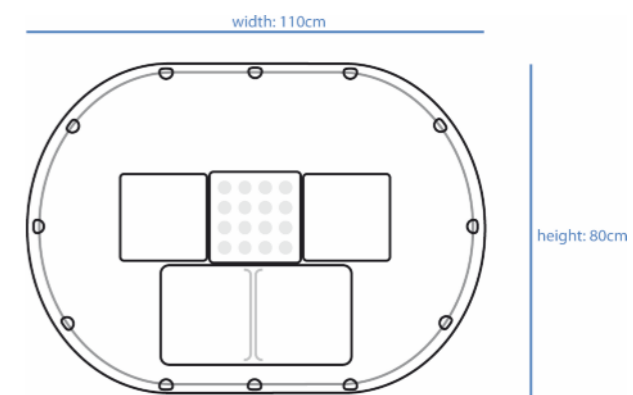
Underneath is a lighter coloured mat. Tools which are placed on this part can be seen very well in the dark. No additional lighting is necessary. The working mat has 2 knee pads for convenience.



The professional solution – The Special Ops Mat 2.0 for Entry and Installation Teams.

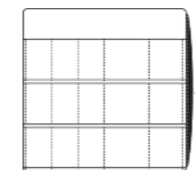
In the centre of the mat (workspace), there are 16 magnets to keep your tools in place. On both sides of the workspace are two zippers placed for different types of tool bags (optional) depending on the tools you need for your operation. Beneath the workspace there are two kneepads for added comfort.

In case of an emergency; pull the cord around the mat upwards and the mat will fold inwards like a bag. Now you can leave the scene quickly, without leaving anything behind.

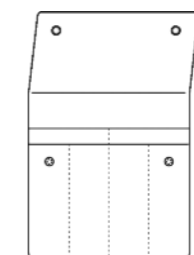


Order No. MAP-AGE 2.0

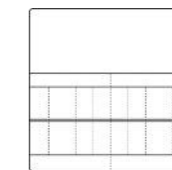
The mat has four types of **optional** tool bags. The bags are available with left- or right zipper-attachment.



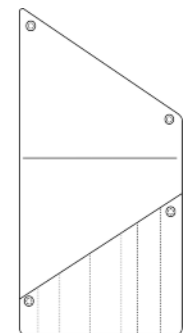
Order No. MAP-AGE 16002



Order No. MAP-AGE 16003



Order No. MAP-AGE 16004



Order No. MAP-AGE 16005

Key Checker

Use this key checker to quickly find the alternatives for a key to be copied.

The blank which fits the pre-set key checker can be inserted smoothly into keyway.

- **Long searching for the correct blank belongs to the past**
- **Put in the original key**
- **Align the key checker**
- **Compare the profile with the blank**

Order No. LT300



Safe Key Gauge

This gauge is a useful equipment to replicate safe keys.

- **Easily and precisely adjustable**

Order No. 4740



Shims und Shim Holder

Stainless shims ideal for shimming open locks on the bench. Made to the right size and thickness, these shims hold their shape particularly well and tend to last longer.

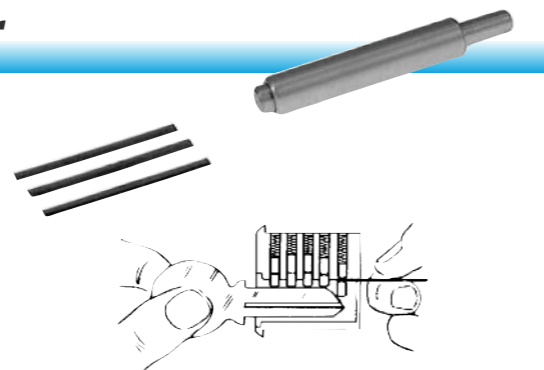
Curved Shims, Pack of 25 shims

Shim Holder not included!

Order No. 0707

Shim Holder

Order No. 0708



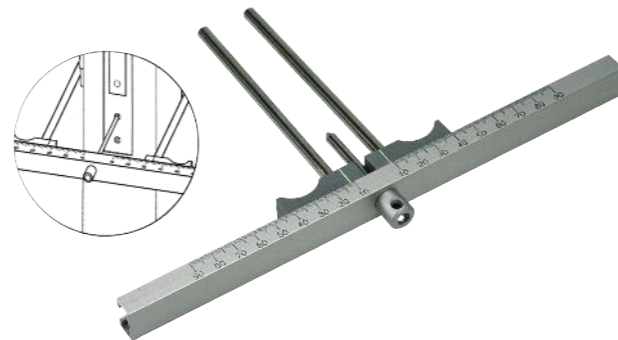
Slowly pull back blank

Measuring Tool for Cylinder Locks

Fast and simple method to measure the different lengths of cylinder locks (inside/outside).

- **Ideal for customer services**
- **Clear and easily readable scale**
- **Lightweight**

Order No. 1930



Optical Measuring Instruments

Do you have control problems with difficult or not accessible hollow spaces – e.g. on vaults and the inside of car doors?

Solve or minimise your problems by using non-destructive methods or no dismantling as you can see even into the smallest holes or the furthest angles with good lightning – with a compact, reliable and good value instrument.

We have to offer you quite a lot:

Based on our long experience of using optical measuring instruments we have put together a well thought out list of devices for technical applications and adjusted to individual needs, starting with the simple light probe up to the multi-lens techno-endoscope.

Lights

Most of the instruments are equipped with a miniature halogen light. They have a higher intensity and a longer life compared to ordinary small lights. Each light is perfectly adapted to the functioning of the instrument.

Source of power

With our battery- or power handles or the 12 V Accu-box you are independent of electricity. There is no restriction on place or your freedom of movement.

Handiness

All our instruments are especially handy. This is especially obvious with our “Mini-Instruments”, as you can easily carry them in your breast pocket.

Quality

You can request high-quality materials, processing and functioning. We know the hard pressure measuring instruments are put under in every day use. Our instruments are constructed and made for practical use.

Pricing

Our optical measuring instruments are a new category in their conception and have an excellent cost-effectiveness.

Usage

To find out manipulation possibilities in opening techniques, to ascertain traces for expert reports and for evaluation of damage etc..

“Under Door” Torch

Fibre optic illuminator with 4 mm curved insertion plate for 45° light angle.

22 mm light input adapter with "O" ring push fitting.

Order No. R-UDT



Fiber Optic Light

Small adjustable flashlight with fiber optic light towers. The luminous intensity is adjustable to 120, 40 and 10 lumen

The fiber optic light towers are in the following thickness: 1.8 mm, 1.3 mm and 1.1 mm diameter



Order No. OpticLight

Light Kit



This kit includes an otoscope head with pin depressors for reading wafers and decoding keyways. This tool is also used to align gates when a combination lock has been drilled.

- A versatile light kit for locksmiths and safe technicians

Order No. LKM2051

Borescope with Battery Handle, 2.5 V

Due to their unique construction borescopes enable you to see into drill holes from 0,3 mm upwards and in hollow spaces with narrow openings, e.g. the keyhole of a security lock. Furthermore they are useful as light-emitting magnifying glasses for variable observation distances.

It also performs well for forensic inspections and for a variety of safe opening work. This light lets the technician view through a 1 mm hole or greater with 17 adjustable lenses. The 17 lenses in the scope allow you to focus on any object at a distance of 5 mm to 250 mm. The shortest distance gives the maximum magnification of 10x.

(Requires 2 AA batteries)

Order No. 3879

Replacement Bulb, 2.5 Volt

Order No. 3871

Our Suggestion!



Streppel Endoscope “Grand Kit”

Made in Germany!



Image shows "GRANDKITAF+70"

Individual Skopes on request!

Mirror sleeve endoscopes have a basic line of sight of 0° straight ahead and variable lines of sight of 70°, 90° and 110° thanks to sliding mirror sleeves. All the mirror sleeves can be rotated infinitely through 360° around the endoscope axis and thus ensure optimal all-round vision in the inspection area.

- Integrated illumination fibre guarantees light and even illumination
- Outstanding image quality thanks to high-quality lens
- Cost-effective, as up to max. 4 lines of sight possible with just one endoscope

If you want to buy more mirror tubes afterwards, we need the endoscope to adjust the mirror tube.

Streppel endoscopes are characterised by their optimal and consistent quality thanks to the high-quality materials.

Endoscope “GRANDKITAF”

Endoscope with rotating mirror tubes

Kit contains:

1 pc. Endoscope 4 mm dia. x 140 mm working length
1 pc. Mirror Tube, 90° line of sight

1 pc. Endoscope 4 mm dia. x 430 mm working length
1 pc. Mirror Tube, 90° line of sight

1 pc. LED Flashlight, 280 lumens with adapter for endoscope

1 pc. Wooden case with foam insert

Order No. STR-GRANDKITAF

Endoscope “GRANDKITAF+70”

Endoscope with rotating mirror tubes

Kit contains:

1 pc. Endoscope 4 mm dia. x 140 mm working length
1 pc. Mirror Tube, 70° line of sight
1 pc. Mirror Tube, 90° line of sight

1 pc. Endoscope 4 mm dia. x 430 mm working length
1 pc. Mirror Tube, 70° line of sight
1 pc. Mirror Tube, 90° line of sight

1 pc. LED Flashlight, 280 lumens with adapter for endoscope

1 pc. Wooden case with foam insert

Order No. STR-GRANDKITAF+70

Hawkeye™ Borescopes



Precision borescopes with excellent picture quality. A special torch is used to give light.

- Only 4.2 mm in diameter
- Built-in adjustable focusing eyepiece to allow for wider range of visual distances
- 40° Field of View is achieved with the straight view probe and the 90° probe
- Superior image quality
- All Hawkeye™ borescopes have mirrors with scratch resistant coating
- Kit includes Probe, Mirror Tube, Power Handle & Case

Hawkeye™ Borescope, 7" (175 mm)
 Hawkeye™ Borescope, 12" (305 mm)
 Hawkeye™ Borescope, 17" (430 mm)

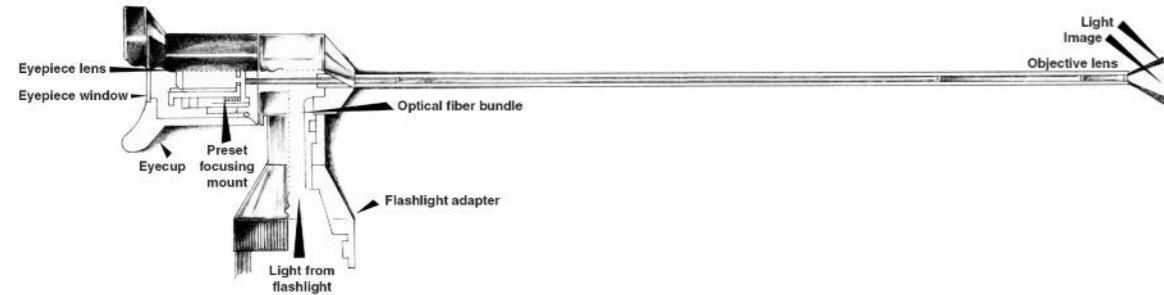
Order No. LKM1202C
 Order No. LKM1205C
 Order No. LKM1208C

Hawkeye™ Scope Saver

The Scope Saver is designed to protect the scope from abrasions during insertion through the safe door. Works with mirror tube on, yet still fits into a 1/4" (0.635 mm) hole



Order No. LKM1211



Hawkeye™ Borescope "Grand Kit"

Kit includes:

- 17" Straight View Probe
- 17" Mirror tube
- 7" Straight View Probe
- 7" Mirror tube
- 2 Mini-Maglites
- Mirror protection sleeve
- 4 AA batteries
- Lockable metal storage case

- The ultimate scope kit for any job – large or small

Order No. GRANDKITAF



Endoscope with fixed line of sight

0.7 mm diameter x 150 mm

This endoscope with fixed line of sight is suitable for the solution of precise and special, recurring inspection tasks.

For inspecting blind holes, hole walls, intersecting cross holes or long channels: can be used in all industrial fields.

- Outstanding image quality thanks to high-quality lens
- Integrated high-performance illumination fibre guarantees light and even illumination
- Suitable for robust applications

Order No. STR0.7x150

Flexible Micro Endoscopes, from 0.5 mm up

- Unlimited amount of uses in the diagnostics and quality control of mechanical and electronic equipment
- Adaptable to any video system and lightsource!

Our micro endoscopes are predestined for visual inspections. Miniature lenses and high-resolution fibre optic light guides guarantee outstanding image quality.



Lightsource not included!

You won't miss even the smallest detail!

The delivery includes a sturdy carrying case made of plastik.

Flexible Micro Endoscope
 0.5 mm diameter x 500 mm

Order No. STR-Flex0,5x500

Flexible Micro Endoscope
 0.9 mm diameter x 500 mm

Order No. STR-Flex0,9x500

Flexible Micro Endoscope, 1,67 mm diameter x 500 mm

Shaft Diameter: 1.67 mm
 Shaft Length: 500 mm
 Optical System: Fused Quartz Fiberoptic Bundle with fixed focus
 Field of View: 70 degrees
 Eyepiece: Standard
 Lightpost: ACMI-STORZ-WOLF (not included)

Order No. 4127

Lightsource not included!

Light Sources

This 150 watt Light Generator, which includes a Halogen lamp, is designed to be used with all Hawkeye™ scopes.

- **Small and lightweight**

Order No. SVU1048A

Replacement Bulb, Halogen 150 Watt

Order No. SVU1103

Optional: Fiber Optic Cord, 5' / 150 cm Length

Fiber Optic Cord for Hawkeye™ Scopes.

Order No. SVU1069



Fiber Optic Cord not included!



Fiber Optic Cord not included!

F/O Projector HK 7000 (Light Source)

- **Made in Germany**

Order No. 4128

Optional: Fiber Optic Cord, 8.33' / 250 cm Length
For Hawkeye™ Scopes

Order No. 4128-1

Optional: Adapter for Fiber Optic Cord
Fits Storz, Olympus, Winter & Ibe

Order No. 4128-2



SCORPION-LED STREAMLIGHT with Scope-Adaptor
Fits to Hawkeye - Olympus

Order No. MDS-LED LIGHT

Portable Light Source

This Light Source is the industry's smallest and brightest portable light source.

The high intensity 3 Watt LED light source mounts to Hawkeye and other ACMI compliant borescopes. Ultra light weight (3.2 oz) and compact (3.5" length).

Pure white light output equivalent to daylight quality lighting. Fully adjustable light output.

- **The Lightest and Brightest Portable Light Source**

Order No. LKMION

Delivery includes:

Rechargeable lithium power cell and matching charger in foam lined case.



Borescope not included!

Battery Kit

When ordering, we need the model or the exact name of the endoscope or borescope, which should be operated with the battery kit.

Kit contains:

- | | |
|-----------------|---------------------------|
| 1 pc. B-4200-S | 2 Cell Powerhandle |
| 1 pc. B-4210-S | Extender Sleeve |
| 1 pc. D-F7005 | ACMI - Remote Cord w/lamp |
| 1 pc. C-4424-CV | KRYB - Recessed Lamp |
| 3 pc. R-EN93-C | Battery |
| 1 pc. R-V-601 | Case |
| 1 pc. R-VIAL | Bulb Vial |

Endoscope or borescope not included!

Order No. 4126-1



LED Endoscope Torch

LED torch with latest CREE XML emitter ring.

- **280 Lumen**

Fitting to CNC machined endoscope adapter with 8.5 mm thread fitting to endoscope. Supplied with lanyard holster.



Order No. R-Torch

Smart Clamp

Universal endoscope adapter for mobile phone or smart phone handsets.

- **Adjustable side clamps with neoprene pads**
- **Max. handset 75 mm**
- **For endoscope with an industry standard 32 mm eyepiece**

Delivery without mobile phone or smart phone!

Order No. R-SmartClamp



Cameras and Adapters

Borescope Color Camera

- **CCD-Color Camera Kit with Cables**

Order No. LKM2027KIT



Illustration similar

Lens Adapters

These adapters are necessary to connect a camera with scopes.

- **3 different forms available**



Order No. LKM2025C



Order No. LKM2025E



Focusing C-Mount Adaptor

A high-quality lens system makes an optimal camera focusing possible. Bayonet connection to the eyepiece.

Order No. MDS2025

Magnetic Scope and Monitor Holder

If safes are drilled from the side or from above you often need a "third" hand.

Set contains Scope and Monitor Holders

Order No. LKM2028



Monitor Holder only

Order No. LKM2028MM

Scope Holder only

Order No. LKM2028SM



Safe Vibrators

Purposeful vibrations to the outside mantle of the safe can open the locking system.

For small safes and furniture safes in DIY-Store quality with electronic number locks.

- **Simple construction**
- **Rubber block**
- **SDS acceptance**

Order No. SAFE-VIBRA-PEG

For safes with electronic number locks.

- **Reinforced construction**
- **With cooling fins**
- **Plastic block**
- **SDS acceptance**

Order No. SAFE-VIBRA-VERS



Super Safeman's Kit™



The **Pro-Amp™** is the best quality equipment for the specialized needs of the technician. Its filter system eliminates low-frequency noise, allowing you to hear the high frequency sounds of the contact point.

The **Read-Eze™** makes it easier to determine and to read the accurate positions of the contact points, the hardest part of the manipulation. Finest changes are magnified and visible.

The **Hawkeye Borescope™** is the "top-of-the-line"-precision borescope with excellent image quality.

The **Uni® I-Otoscope** allows with its straight light the view through a borehole.

Kit includes:

Hawkeye™ Scope, Pro-Amp™, Read-Eze™, Uni® I-Otoscope, Emergency Dial and Carrying Case

- **The finest in manipulation aids and viewing equipment**

Order No. LKM1097

Stethoscopes

“Pro Amp™”

Our “Top-Of-The-Line” audio amplifier offers a discriminating filter system.

You can tune out distracting noises and hone in on the signals you are listening for. This unit is sensitive enough to “hear” time locks and distinguish the difference between fly pick-up and wheel rotation. The Pro-Amp has all the features desired by professional safe and vault technicians.

Set includes: Filtered Amplifier, Powerful Magnetic Microphone, Professional Quality Headphones, 9 Volt Battery and Sturdy Carrying Case

Order No. LKM1036AMP



“Lock Amp®”

This device features stereo magnetic microphones with volume control. The handsized amplifier attaches to a safe by a magnetic mounting plate. The lightweight stereo headset lets you hear those contact points and mechanism operations clearly.

Set includes: Amplifier, 2 Magnetic Microphones, Head-set, Batteries and Carrying Case

Order No. LKM1116AMP



Alligator Forceps

- High quality forceps
- Precision gripper jaws ensure a safe hold



Length 3.54” / 9 cm Order No. ALLIGATO-09



Length 5.51” / 14 cm Order No. ALLIGATO-14



Length 6.29” / 16 cm Order No. ALLIGATO-16

“Magnum PRO™” Drill Rig

This drill rig is a combination of the “457 Magnum” and the “Magnum Bullet” drill rig. It can be used for template drilling or as a magnetic drill rig. The barrel is interchangeable between the two rigs.

2. Magnum Bullet™ Drill Rig

- Lightweight, quick and easy to set-up

Now featuring the new Quick Disconnect Bullet Frame, which allows you to get an easier and much closer view after drilling!

The Magnum Bullet™ is a heavy-duty “companion” drill rig with the same powerful drill capacity as the standard 457 Magnum. Designed with a new barrel and quill assembly technology, the Bullet is lightweight, quick and easy to set up and offers template drilling.

1. 457 Magnum Drill Rig

The 457 Magnum has long been the fixed position safe drill rig of choice.

We've made improvements that make this drill rig an absolute pleasure to use.

The improved 457 Magnum is lighter in weight, easier to set-up and has a new-style barrel assembly.

Its revolutionary design allows immediate inspection of the hole when drilling and enables you to change your bits quickly and easily. Simply push down on the collet (a quick release mechanism) and remove the barrel assembly.

Also, this new design has internal threads which means you won't have to worry about metal shavings seizing your rig.

The new barrel assembly with quick release coupling will retrofit with the older 357 Magnum and 457 Magnum and can be purchased separately.

3. Quick Disconnect Frame

- Save valuable time!

The new Quick Disconnect Frame allows you to get an easier and much closer view after drilling. You are simply one step away from removing the drill rig.

4. Templates

The template provided with the Bullet includes drill points for the fence, lever screw, relocker and scope for S&G, Ilco and LaGard locks. Other templates are available for the Kaba Mas X-07, X-08 & X-09, Mosler and Star round doors. An additional blank template is provided with the spindle hole and mounting holes predrilled. For side drilling or drilling outside the dial ring, a guide plate complete with drill bushings is provided to accurately drill the two mounting pattern holes anywhere on the safe.

- Designed to work with any brand of drill motor by using a universal spindle driver.
- Attaches with four ceramic magnets with 450 pounds of pull each.

Order No. MAG55703
Delivery in two cases.



Drill Rigs and Asseccories

The components of the drill rig "Magnum PRO™" also are available individually:

Magnum Bullet II™ Drill Rig

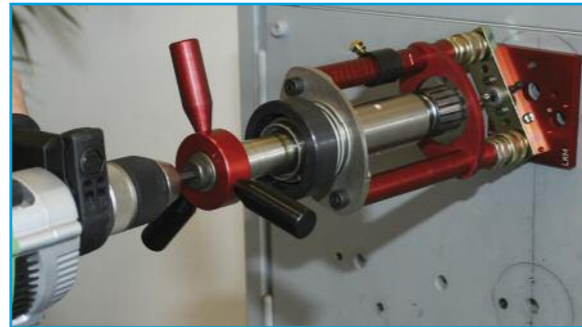
Barrel with Quick Disconnect Bullet Frame and drill templates

Order No. **MAG55701**

457 Magnum Drill Rig

Drill Rig with Barrel and 4 ceramic magnets

Order No. **MAG55702**



Magnum Bullet II™ Drill Rig

Quick Disconnect Frame

Order No. **MAG557202**

Drill Templates

Mechanical Lock Drill Templates

Blanc

Order No. **MAG557301**

S&G, Ilco, LaGard

Order No. **MAG557302**

Star-"C" Rate

Order No. **MAG557304**

Mosler 302

Order No. **MAG557305**

Post Office S&G

Order No. **MAG557312**

Kaba Mas X-07, X-08 & X-09

Order No. **MAG557314**

Electronic Lock Drill Templates

LaGard 33E & 99E

Order No. **MAG557306**

S&G 6120 / SGZ02

Order No. **MAG557307**

LaGard 3500 Swingbolt

Order No. **MAG557308**

LaGard Swingbolt V2, SGZ02 Direct Drive or Rotary Bolt

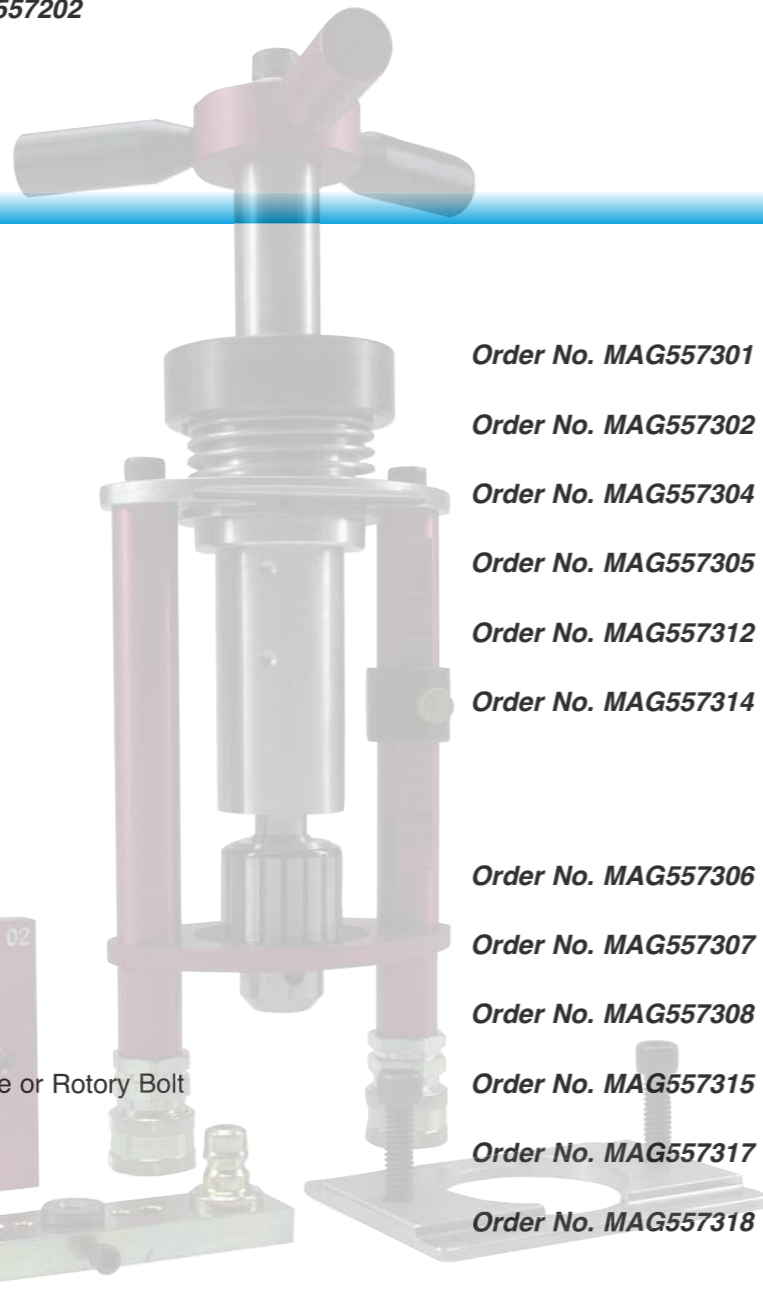
Order No. **MAG557315**

Censon/Auditcon, Sidebolt and Deadbolt

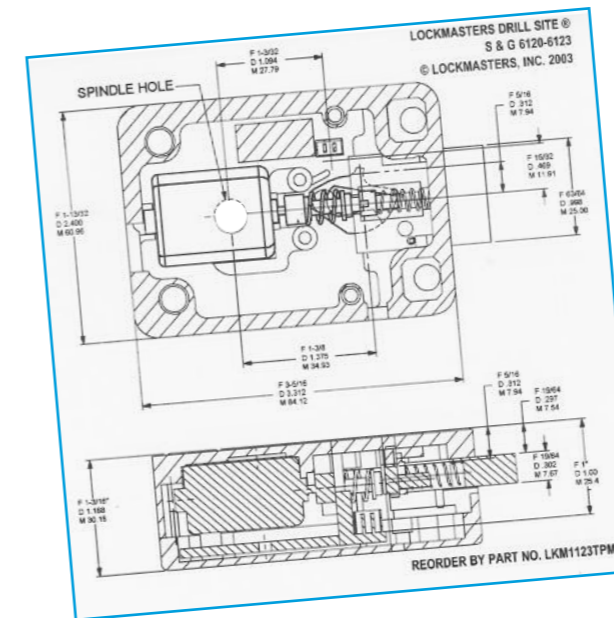
Order No. **MAG557317**

Amsec ESL 10/ESL 20 and Safewizard

Order No. **MAG557318**



Magnetic Backed Drill Sites



Provide an accurate, x-ray type view of the lock. Each template is reproduced in actual size, front and top view and the spindle hole is pre-drilled for easy installation. The Magnetic Drill Sites are reusable, heavy-duty coated vinyl with magnetic backs.

- **magnetic, easy assembly**
- **exact positioning of drill points**

Set of drill templates for mechanical locks

Drill Templates LKM1105TPM - LKM1111TPM
Order No. **LKM1145TPM**

Set of drill templates for electronic locks

Drill Templates LKM1113TPM - LKM1125TPM
(Does not include LKM1112TPM, LKM1127TPM, LKM1128TPM)

Order No. **LKM1145KIT2**

Complete Set Drill Templates for mechanical and electronic locks

Set of drill templates for mechanical locks (LKM1105TPM - LKM1111TPM)
Set of drill templates for electronic locks (LKM1113TPM - LKM1125TPM)
(Does not include LKM1112TPM, LKM1127TPM, LKM1128TPM)

Order No. **LKM1145KIT1**

All Drill Templates separately available:

Drill Templates for mechanical locks:

Order No.	Description
LKM1105TPM	S&G 6730 Series
LKM1106TPM	S&G 8550MP Series
LKM1107TPM	Federal 800 Series
LKM1108TPM	Yale OC5 Series
LKM1109TPM	Yale B30 & B40 Series
LKM1110TPM	Mosler MRK302 Series
LKM1111TPM	Mosler S201
LKM1131TPM	S&G 6804/6805
LKM1133TPM	LpLocks2M

Drill Templates for electronic locks:

Order No.	Description
LKM1112TPM	Kaba Mas X-07
LKM1113TPM	LaGard 99E1 Springbolt, V1
LKM1114TPM	LaGard 99E2 Deadbolt, V1
LKM1116TPM	LaGard Swingbolt, V1
LKM1118TPM	LaGard 33E, V1
LKM1119TPM	S&G 6120 Series, V1
LKM1120TPM	LaGard 33E, V2
LKM1121TPM	Globaloks
LKM1122TPM	Kaba Mas Auditcon
LKM1123TPM	S&G 6120 & 6123 V2
LKM1124LTPM	LaGard Swingbolt V2 Left Handed
LKM1124RTPM	LaGard Swingbolt V2 Right Handed
LKM1125TPM	LCLX, LCMX, B-52
LKM1127TPM	Kaba Mas X-08
LKM1128TPM	Kaba Mas X-09
LKM1129TPM	Amsec ESL 10
LKM1130TPM	Amsec ESL 20
LKM1132LTPM	Lplock Rotobolt, Left Handed
LKM1132RTPM	Lplock Rotobolt, Right Handed



HELIX Revolver Rotary Template



This compact aluminum template attaches to the dial ring screw holes and rotates to provide an infinite number of precision drill points. The HELIX Revolver pioneers the practice of "code drilling" safe locks. The included code card provides an extensive list of drill point codes for practically every modern safe lock. Simply attach the HELIX Revolver to the dial ring screw holes, rotate the template to the number shown on the code chart and drill.

- **The Latest Innovation In Safe Drilling**
- **Compatible with the Bullet, Magnum and Mini-Rig**

Order No. LKMHELIX

Drill Bits

Cobalt Drill Bits "JOBBER LENGTH"

Made to drill Stainless Steel or Titanium. They are tougher than regular high speed bits and render a longer life under normal usage. The 135° split-point penetrates immediately and prevents walking. Not for hardplate, but excellent for safe skin and materials which are not as hard.

- **No guarantee for broken off or worn out drill bits through mishandling!**

3.17 mm dia.	Order No. 4450
4.76 mm dia.	Order No. 4451
6.35 mm dia.	Order No. 4452
7.93 mm dia.	Order No. 4453
9.52 mm dia.	Order No. 4454
11.11 mm dia.	Order No. 4455
12.70 mm dia.	Order No. 4456



Carbide Tipped Drill Bits "MP3"

Built to last longer, our newest carbide hardplate drill bit has proven itself as an up and coming leader in the safe and vault industry.

- **Tip has special negative rake and can be resharpened**
- **Works exceptionally well on carbide matrix hardplate**

- **High-tech bonding allows bit to withstand drilling temperatures up to 19,000° F**
- **Lasts longer than most regular carbide-tipped bits**
- **Chrome Vanadium steel shank provides extra hardness and enormous strength**
- **No center punch needed – eliminates "walking"**

1/4" x 4 1/4"	6.35 x 101 mm	Order No. LKM1/4X4C
1/4" x 6"	6.35 x 152 mm	Order No. LKM1/4X6C
5/16" x 6"	7.93 x 152 mm	Order No. LKM5/16X6C



Drill Bits

Carbide Tipped Drill Bits "MR. TWISTER"

Note in the picture, the cross section of the spiral shank has nearly as much "meat" as our straight flute bit and therefore achieves the desired results in strength and heat dissipation. Also notice the cutting edge. By sharpening the bit in a notched fashion, we end up with more cutting surface as compared to common straight-edge sharpening techniques.



3/16" x 4"	4.76 x 101 mm	Order No. MRT3/16X4C
1/4" x 4"	6.35 x 101 mm	Order No. MRT1/4X4C
1/4" x 6"	6.35 x 152 mm	Order No. MRT1/4X6C
1/4" x 8"	6.35 x 203 mm	Order No. MRT1/4X8C
1/4" x 10"	6.35 x 254 mm	Order No. MRT1/4X10C
5/16" x 6"	7.93 x 152 mm	Order No. MRT5/16X6C
5/16" x 8"	7.93 x 203 mm	Order No. MRT5/16X8C
3/8" x 6"	9.52 x 152 mm	Order No. MRT3/8X6C
1/2" x 6"	12.70 x 152 mm	Order No. MRT1/2X6C
1/4" x 12"	6.35 x 305 mm	Order No. MRT1/4X12C
1/4" x 18"	6.35 x 457 mm	Order No. MRT1/4X18C
5/16" x 12"	7.93 x 305 mm	Order No. MRT5/16X12C
5/16" x 18"	7.93 x 457 mm	Order No. MRT5/16X18C
3/8" x 12"	9.52 x 305 mm	Order No. MRT3/8X12C
3/8" x 18"	9.52 x 457 mm	Order No. MRT3/8X18C

Carbide Tipped Drill Bits "STRONGARM"

Multi-purpose drill locks, steel, alloys, cast iron, concrete, granite, ceramics, glass, plastics, etc.

- **Stronger carbide, titanium tungsten carbide tips**
- **Stronger brazing, ultra high temperature copper brazing**
- **Stronger shank, high grade, chrome-molly steel shanks**

3/16" x 4"	4.76 x 101 mm	Order No. SA3/16X4C
1/4" x 4"	6.35 x 101 mm	Order No. SA1/4X4C
1/4" x 6"	6.35 x 152 mm	Order No. SA1/4X6C
5/16" x 5"	7.93 x 127 mm	Order No. SA5/16X5C
5/16" x 8"	7.93 x 203 mm	Order No. SA5/16X8C
5/16" x 12"	7.93 x 305 mm	Order No. SA5/16X12C
3/8" x 5"	9.52 x 127 mm	Order No. SA3/8X5C
3/8" x 8"	9.52 x 203 mm	Order No. SA3/8X8C
3/8" x 12"	9.52 x 305 mm	Order No. SA3/8X12C
3/8" x 18"	9.52 x 457 mm	Order No. SA3/8X18C
3/8" x 24"	9.52 x 607 mm	Order No. SA3/8X24C
1/2" x 6"	12.70 x 152 mm	Order No. SA1/2X6C
1/2" x 8"	12.70 x 203 mm	Order No. SA1/2X8C
1/2" x 12"	12.70 x 305 mm	Order No. SA1/2X12C
1/2" x 18"	12.70 x 457 mm	Order No. SA1/2X18C
1/2" x 24"	12.70 x 607 mm	Order No. SA1/2X24C



Safe Opening Tool Kit

The Safe Opening Tool Kit is a collection of six tools designed for use on safe locks after burglary has been attempted.

Entering through the existing spindle hole, the ends of the tools flip open and allow you to work from the inside of the lock.

These tools are specifically designed to recreate correct combination input by allowing you to deactivate relocking mechanisms and draw back bolts.

The ends of the tools are like little fingers and are designed to manipulate the inner workings of many safe locks.

With the Safe Opening Kit you can quickly and easily open LaGard 1800 and 2100, Mosler 302 and 402, and many S&G safe locks.

This kit comes complete with 6 tools and instructions in a handy roll-up case for convenient storage.



Order No. 4510

Safe & Vault Repair



Safe Repair Kit

Drill holes can be durably filled with the materials contained in the Kit.

The Kit comes with five different kinds of conic tapered steel pens, four different kinds of hard metal balls and one hard metal drill.

Order No. 4446

Knee-Pad "Safe Technician"

- *Your new best friend*

When was the last time you went to open a safe and you did not have to get down on your knees, usually on concrete, to do part of the safe opening.

This foam knee pad has "Safe Technician" imprinted on it and takes the pain out of being on your knees.



Order No. LKM5633

Emergency Safe Dials

Emergency Dial

Missing dials are no reason to panic.

Now just drill a small hole in the spindle and attach the Emergency Dial. In a matter of minutes you can dial the safe open easily using the existing combination.

Dial includes: Inner hub, Set screws, Square stock and Allen wrench

Order No. LKM1002ED



Improved Emergency Dials

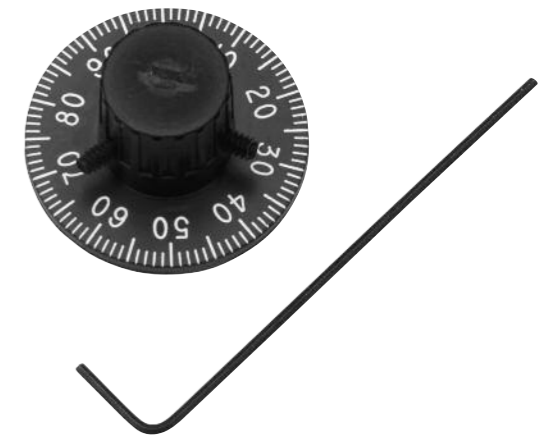
Designed to fit flush against the door, these clever emergency dials are 1 1/2" diameter, and are graduated up to 100 numbers. The smaller diameter allows use with a borescope, for scoping the wheel gates.

Improved Emergency Dial, 5/16" (7.94 mm) Spindle and Allen wrench

Order No. LKM2021ED

Improved Emergency Dial, 1/4" (6.35 mm) Spindle and Allen wrench

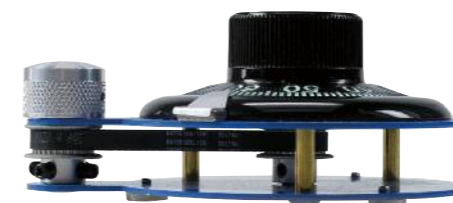
Order No. LKM2022ED



Emergency Transfer Dial

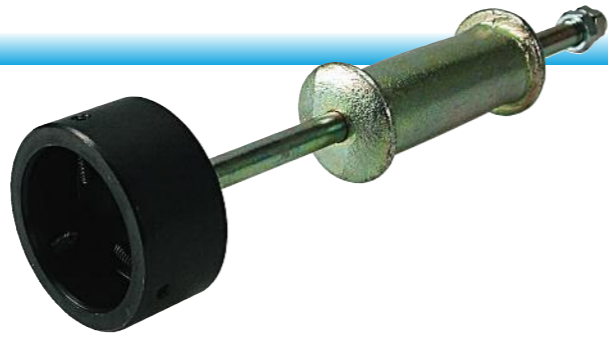
- *Allows dialing of a safe away from the drill point.*
- *Easy transfer of gate to any position fast and accurately.*
- *Precise one to one ratio between dial and spindle.*
- *Easy to read large format dial.*
- *Attaches strongly with the use of rare earth magnets.*

Order No. 4511-K-ETD



Dial Puller

Just center the cup over the dial, secure the Allen screws and with just a few strokes the weight removes the dial.
The Dial Puller works on any pressed-on or glued-on dials with minimum effort and damage.
Also includes a steel dowel pin insert specifically created to press off LaGard dials.



Order No. LKM1095

- Removes dials quickly with straight line reverse thrust produced by a sliding weight

Cutaway Locks

- An invaluable tool for practicing manipulation

It can also help you explain proper dialing procedures to customers.

Each lock, already mounted when shipped, is complete with change key and instructions.

La Gard 3330, 3-Wheel Cutaway Lock

Order No. LAG3330CUT

S&G 6730, 3-Wheel Cutaway Lock

Order No. SG6730CUT



Change Key Set

The Change Key Set is a set of the twelve most common change keys, all in a handy case. Keys fold out "knife style" to select the proper tool. Case is engraved with description of uses. Keys are made of stainless steel.

- A must for all tool boxes!

Order No. 4750



Set contains:

- #1 Change Key Mosler, 4 Wheel
- #2 Change Key Mosler 302, 3 Wheel
- #3 Change Key S&G Amsec, 3 Wheel
- #4 Change Key S&G 6720, 3 Wheel
- #5 Change Key Diebold 180, 3 Wheel
- #6 Change Key Diebold 177, 4 Wheel

- #7 Change Key S&G Padlock, 3 Wheel
- #8 Change Key S&G 4163
- #9 Change Key La Gard-RI, 3 Wheel
- #10 Change Key La Gard, 3 Wheel
- #11 Change Key La Gard, 4 Wheel
- #12 Change Key La Gard, Amsec, 3 Wheel

Auto Dialer "ITL-2000II"™



Can cover the million conceivable combinations of a standard 3 number combination lock in under 30 hours!

The advantages of electronic technology are here at last. Simply set-up the ITL2000II™ on any standard combination lock (dials right-left-right) with the easy-to-follow instructions and watch as the computer and drive motor go to work for you. Soon, the automatic dialer will have the lock open, saving time, materials and excess labor costs.

The ITL2000II™ can cover the million conceivable combinations of a standard 3 number combination lock in under 30 hours. If one number is known, it can open single-function locks in less than an hour.

Powerful enough to work on Mosler 302s.

Features:

- Lighter programming touch on the key pad
- Designed to work unattended
- Standard 120 V, 60 cycles (available in 240 V)
- 1 year warranty on workmanship and materials
- Auto shut-off when the combination is found
- All components fit into a compact standard size briefcase
- Each wheel can be dialed:
 - to a number
 - to every possible dial position
 - through a predetermined range of numbers
- Programmed not to dial numbers in the forbidden zone
- Four dialing speeds for loose and unlocked wheels

Order No. ITL2000II

Setting Up The Auto Dialer:



Position the Magnetic Base around the dial



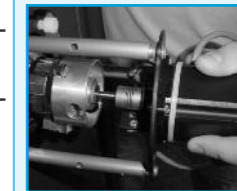
Tighten set screws snug to the dial ring



Screw the 3 Leg Mounts into the Magnetic Base



Using the Chuck Key, adjust the Gripper Set to fit around the dial



Align the Motor Housing with the 3 Leg Mounts and the Chuck Spindle



Attach the Washer and Wing Nuts to the Leg Mounts



You're now ready to follow the manual instructions

Free introduction in our company!

Triangle Dialer Plate with 3 magnets
Order No. L3002

ITL2000 - optional Jaw Set

For dial reaches 2.75" - 3"

Order No. ITL2000-JAW-SET

Spikemaster II

The new Spikemaster II is designed to open the most popular, of today's electronic locks, through the spindle hole. The Spikemaster II kit comes with an instructional DVD, which explains how to use each tool in the kit.

The Spikemaster II kit includes:

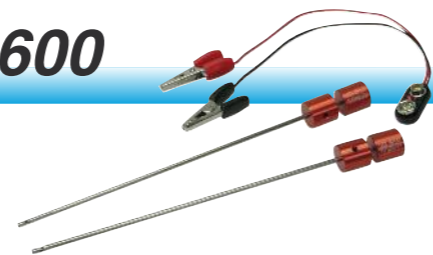
- Spikemaster II spike it box
- Grabber probes for old style LaGard swingbolt
- New LaGard tool for all new style dual handed swingbolts
- New AMSEC tool for ESL 10 and ESL 20 locks
- New S&G tool for Pulsetronic and Z-02 rotarybolt



Order No. LKM239

Wire Tool LDT for LaGard 3600

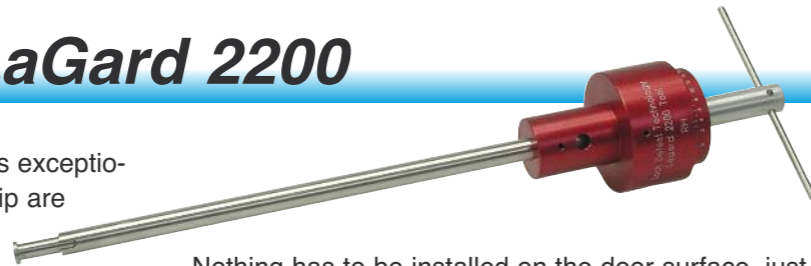
This tool is designed to open the lock if you have a lockout for any reason other than a failed solenoid, by directly energizing the solenoid wires and allowing the lock to be opened. To use the tool you must be able to drill a hole into the lock case through the spindle hole – no hardplate drilling required. Once the hole is drilled, you have access to the solenoid wires. This tool can also be used on other electronic locks, although it might require drilling somewhere other than the spindle hole.



Order No. LDT3600TL

Lock Pick for LaGard 2200

The machining and design of this tool is exceptional. The tube and wheel manipulation tip are machined from stainless steel to give years of service to the safeman. It has a built-in laser engraved indicator to enable the user to load the actual key combination into each wheel. Spacing dents for wheel positions and neutral positions enable the user to identify their exact position within the lock.



Nothing has to be installed on the door surface, just stick the tool in the lock and you are ready to pick the lock. Accommodates a maximum door barrier thickness of 7.5", so this pick is long enough to work on virtually any high security safe.

Order No. LDT2200PK

Key Decoder for LaGard 2200

One of the most common reasons for mechanical failure on the LaGard 2200 is one or more of the wheels changing its own combination. By using this tool first on the customer key, we can determine the original settings for the 4 wheels. Since the lock is working poorly, picking is much more difficult because of the lack of feel when moving the wheels with the pick. You are able to utilize the decoding information and load the lock to the original wheel settings on all 4 wheels using this special design pick. You can then randomize one wheel at a time to open the lock.



Order No. LDT2200DC

Safe Manipulator "TSM"



The safe manipulation tool "TSM" was developed by us in collaboration with Richard Belcher, who has already worked on the safe manipulation aids "Safe Assistant V1" and "Safe Assistant V2".

"TSM" is a computerized system which supports the manipulation of combination locks and it is designed to help the Safe Engineer or Locksmith with opening Combination Safes. The annoying and confusing write down of contact points in sheets belongs to the past by using this tool.

Using the "TSM" can save time in the manipulation of a combination lock up to 3 hours.

The TSM packs a set of features not seen in any other Safe Manipulation Aid.

- **Suitable Laptop/Notebook/PC is required, running Windows XP or 7**
- **Automatic Wheel Graph generation**
- **Single & Dual Graphing views for easy Gate identification**
- **Real-time Wheel Position display**
- **Easy Gate Real-time position display**
- **Simple "Return to Job" feature**
- **Support for the TSM Mini Mag-Keypad: (Release date TBC)**

USB 5-Key magnetic keyboard facilitates quick measurements to be taken

- **User Definable entry of Dial graticule types**
- **Automatic Highpoint tracking**
- **System Accuracy: 0.09 deg**

Free introduction in our company!



Order No. TSM

Laptop/Notebook or PC not included!



Hobbs'sche Hooks & 2-in-1 Picking Tools

The classic "Hobbs'sche Hook" was developed further by our technicians and is produced with the highest precision.

With "your help" this tool opens most lever locks.

The lock can be picked without damage to the lock and no parts need replacing.

- *Special models in special sizes available on request*



Markings allow easy scanning of discs

Most common sizes:

Type 1: 9 mm

Order No. 4730

Type 2: 10 mm

Order No. 4731

Special sizes:

Type 3: 12 mm

Order No. 4732

Type 4: 15 mm

Order No. 4733

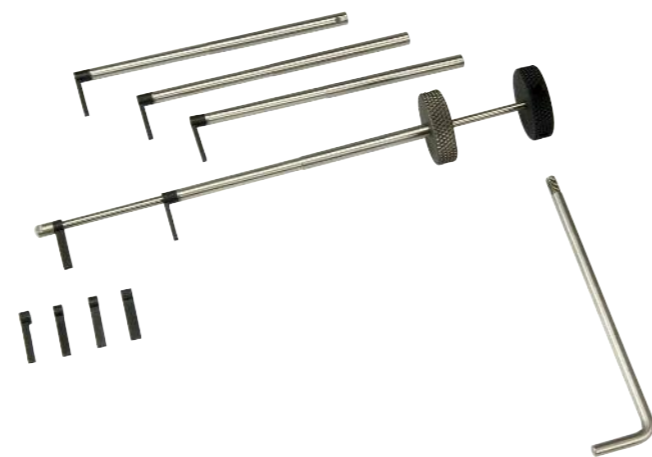
Multi-Gauge Smart Safe Pick Pick Set

This smart safe pick set can be adjusted the tension pick tip and the picking tip to fit a lock which create many different permutations of pick by mixing the different tips to match the safe locks include vintage and antique locks.

- *Assemble easily by using attached wrenches-*



Delivery in an plastic box.



Order No. 178-RGN

Decoder for STUV

The tools in this kit are designed to decode and open the STUV 4.19.92 - 7 lever safe lock.



The kit contains everything you will need - **except** an appropriate borescope and light source. A quality prism scope with a 70 degree DOV and a diameter of 4 mm or less is ideal.

Kit contains:

- 1 pc. variable Key Stem
- 24 pcs. variable Bits (4 of each depth)
- 12 pcs. Special Cut Reading Key
- 1 pc. Decoding Chart
- 1 pc. Dry Erase Pen
- 1 pc. Allen Wrench
- 1 pc. Compact Storage Box with Instruction Cards



Order No. STUV-DEC.

Pick and Decoder for Cawi 2618-1819

These Cawi locks have levers that are not individually sprung. When tension is applied with a two in one pick it is difficult to control and maintain lever position.

The pick and form system has been designed to overcome the picking difficulty.

The system has a setting key that allows levers to be set to different key height positions.

Whilst held in these positions another part of the tool is able to be introduced into the lock in order to test each lever.

The levers that register as being incorrect are then set to a different key height with setting tool until their true position is found.

A skilled user should be able to decode and open a 9 lever lock within 30 minutes.



Order No. CAWI 2618

Decoder for Mauer President 71111



The decoder system is for use on the Mauer President 8 lever safe lock, probably the most commonly used safe lock in the world.

The system is very easy to use and does not involve picking or tension based methods.

The system is supplied with a variable key which is used to open the lock once the code has been determined.

The only limitation to the system is that it requires a little aptitude and period of training before use.

The user of this system should be able to pick the lock open in less than ten minutes.

Decoder for Mauer President 71111
Order No. 0683

The procedure for using the tool is a two part process. First use the tool as a conventional pick and pick all levers into a true or false gate. At this stage the levers are able to be identified as odd or even, with this information the tool can then be used to determine the true code and open the lock. The tool works on a pick and form principal whereby each lever is decoded and then the code for that

lever is placed into a variable key. Eventually the variable key will have the correct code and the lock will open. Opening times between 20 & 30 minutes. Once the lock is in the open position, it is a simple matter to introduce a new key through the locks key changeable mechanism. The tool is supplied with an instructional DVD.

Decoder for Mauer Variator 11/8 Lever

The procedure for using the tool is a two part process. First use the tool as a conventional pick and pick all levers into a true or false gate. At this stage the levers are able to be identified as odd or even, with this information the tool can then be used to determine the true code and open the lock.

Whilst we know it is possible to pick this lock with a 2 in 1 hobbs pick the amount of time required is considerable. We have therefore developed this tool to reduce time and engineer skill required.

The tool works on a pick and form principal whereby each lever is decoded and then the code for that lever is placed into a variable key. Eventually the variable key will have the correct code and the lock will open.



Opening times between 20 & 30 minutes are possible. Once the lock is in the open position, it is a simple matter to introduce a new key through the locks key changeable mechanism.

The tool is supplied with an instructional DVD.

Decode System for Mauer Variator 11/8 Lever Order No. 0684

Safe Lock 2-in-1 "Wheel Picks"

Our 2-in-1 "Wheel Picks" are a tried and tested design, manufactured to the best quality.

We now use machining nylon to reduce weight, this also helps to produce a more balanced tool. Each tool is fabricated from Stainless Steel and the overall length is slightly longer than the maximum key length.

The "Wheel Pick" enables the user to pick open the locks using the automatic spacing device that makes the procedure much easier than other designs.

The only limitation of these tools is skill acquisition and speed. The picking of safe locks is a skill that requires considerable practice in order to become proficient.

The user is required to have a good knowledge of the lock mechanism and also needs to develop his manual dexterity before he can achieve the maximum benefit from these tools.

The use of a pointing device to plot gates can help.



Picture: Order No. SW-002

Available Picks:

Order No.	Description	Suited for:
SW-001	Safe Lock 2-in1-Pick	Kromer Convar, key changeable, 8 lever safe lock
SW-002	Safe Lock 2-in1-Pick	Carl WittKopp (Cawi) 1387, 7 lever safe lock
SW-003	Safe Lock 2-in1-Pick	Carl WittKopp (Cawi), 8, 9, 11 & 14 lever safe lock
SW-004	Safe Lock 2-in1-Pick	Chatwood Milner, 10 lever safe lock
SW-005	Safe Lock 2-in1-Pick	Chubb 6K202, 6 & 7 lever safe lock, old & new style
SW-006	Safe Lock 2-in1-Pick	Chubb 6K206 Lips, 7 lever safe lock, new style
SW-007	Safe Lock 2-in1-Pick	Kromer Euro Novum, 11 lever safe lock
SW-008	Safe Lock 2-in1-Pick	Kromer Novum, 8 lever safe lock
SW-009	Safe Lock 2-in1-Pick	Lips, 16 lever safe lock
SW-010	Safe Lock 2-in1-Pick	Lowe & Fletcher 3007, 8 & 11 lever, Pin & Pipe pick
SW-011	Safe Lock 2-in1-Pick	Mauer 71111 President, 8 lever safe lock
SW-012	Safe Lock 2-in1-Pick	Mauer 73041 & 73042
SW-013	Safe Lock 2-in1-Pick	Mauer President, old style
SW-014	Safe Lock 2-in1-Pick	Mauer Variator A/B, 8 & 11 lever safe lock 70076/9
SW-015	Safe Lock 2-in1-Pick	Powerlock, 7 & 9 lever safe lock
SW-016	Safe Lock 2-in1-Pick	Rosegrens ABN, 8 lever safe lock
SW-017	Safe Lock 2-in1-Pick	S&G 6804, 7 lever key lock Key Op
SW-018	Safe Lock 2-in1-Pick	Sentry / Omega Combination, 9 & 10 lever safe lock
SW-019	Safe Lock 2-in1-Pick	Stuv 419 92/93/94, 8, 9 & 11 lever safe lock
SW-020	Safe Lock 2-in1-Pick	Tann, 9 lever safe lock
SW-021	Safe Lock 2-in1-Pick	Technomax Torino, 6 & 8 lever safe lock



Picture: Order No. SW-021

Car Openers

"Big-Jim"



It has prescribed depth graduations on its face to find exact pick up points.

Order No. 1509

- **The classic opener!**
- **New production because of high demand!**
- **Manufactured of high-quality spring steel**

"Jiffy Jak"



Order No. JIFFYJAK1

- A six-foot long stainless-steel car opening rod
- Two different sized levers to handle the widest variety of doors possible
- A built-in bending tool so that you can shape the rod as you need it without even removing it from the door
- A fully adjustable unbreakable handle with a soft cushion grip that makes the handle easy to use and prevents damage to the vehicle
- A cushioned base plate that reduces the stress on the door by a factor of twenty-five

- **The longest one-piece rod on the market – to increase versatility and reduce the possibility of damage to the vehicle**
- **DVD Manual**

Controllable Snare, 80 cm



"Boa", 80 cm Length

Order No. 1596-A

For the pulling of door buttons etc. The snare can be contracted using the pulling mechanism, thus allowing a tight grip on buttons, handles, etc. Given the very small diameter of the tool a small gap between door and frame is enough for successful and comfortable working.

- **Extra snare in handle!**

Picture shows only part image with handle and tip!



"Python", 150 cm Length, Collapsible

Order No. 1596-B

Controllable Snare, 150 cm

The 4 mm strong pipe with its strong snare, which can be pulled using the mechanism in the handle, can be inserted through a gap between car door and frame. The snare then allows the catching, holding and pulling of objects inside the car.

- **Extra snare in handle!**

Automotive Killer Kits

"Gold Finger"

This car opener was designed to enter into a vehicle allowing you gently pull up a button or pull open a lever. The tool can be bent, allowing you to reach the button or handle on the same side of the car you enter through.

The tool can work from either sides of the car as well as front or back doors. Choose the door or window where the most amount of room is available.

Kit includes:

- 1 pc. Car Opener "Gold Finger"
- 1 pc. Air Wedge
- 1 pc. AutoSleeve™



Order No. 3722

"Skinny Flipper"

This ultra-thin car opening tool can fit through the tightest of openings and be manipulated from outside of the vehicle to reach lock buttons, rockers and handles.

Kit includes:

- 1 pc. Car Opener "Skinny Flipper"
- 1 pc. AutoSleeve™



Order No. 3723

"Skinny Twister"

This ultra-thin car opening tool will hold a twist and allow you to reach lock buttons, rockers and handles, when glass window on a frameless door is interlocked into the top window channel.

Kit includes:

- 1 pc. Car Opener "Skinny Twister"
- 1 pc. AutoSleeve™



Order No. 3724

"Button Clutch"

The "Button Clutch" will allow you to lift upward on many styles of lock buttons, for quick professional damage free opening.

Kit includes:

- 1 pc. Car Opener "Button Clutch"
- 1 pc. Auto Wedge
- 1 pc. AutoSleeve™



Order No. 3728

Universal Hooks

Linkage and ropes in cars without "Safe-Guard" can be gripped with the hook.

The principles can be explained as follows:
The Universal Hook contains a tightly connected steel handle and a wire hook. The wire hook is guided inside a metal tube and can be moved forwards and backwards.

The tool is inserted between 2 plastic wedges into the inside door area which is illuminated by a flexible light. As it is possible to grip and hook the linkage no knowledge of the respective locking system is required to nearly open all car models.

- **Tools with a large area of application**

Car Opener "Universal Hook", horizontal
Order No. 1512

Car Opener "Universal Hook", vertical
Order No. 1513



Example:
vertical linkage

Vehicle List Universal Hook for horizontal linkage:

Acura Legend • Acura NSX • Acura Vigor • Buick Century • Buick Reatta • Buick Regal • Buick Roadmaster • Buick Skyhawk • Buick Skylark • Buick Somerset • Cadillac Cimarron • Cadillac Deville • Cadillac Eldorado • Chevrolet 1500 • Chevrolet 2500 • Chevrolet 3500 • Chevrolet Astro Van • Chevrolet Blazer • Chevrolet Blazer S-10 • Chevrolet Camaro/Z28 • Chevrolet Cavalier/Z24 • Chevrolet Celebrity • Chevrolet Lumina/Z34 • Chevrolet Monte Carlo • Chevrolet S-10 Pick-Up • Chevrolet Sprint • Chevrolet Suburban • Chrysler LeBaron • Dodge Colt • Dodge Stealth • Eagle Talon • Ford Crown Victoria • Geo Metro • Geo Prizm • Geo Storm • GMC Jimmy • GMC S-15 Jimmy • GMC Safari • GMC Sierra C-K 1500 • GMC Sierra C-K 2500 • GMC Sierra C-K 3500 • GMC Sonoma • GMC Suburban • GMC Yukon • Honda Accord • Honda Civic • Honda Del Sol • Honda CRX • Honda Prelude • Hyundai Elantra • Isuzu Stylus • Jeep Cherokee • Jeep Comanche • Jeep Grand Wagoneer • Lincoln Continental • Lincoln Town Car • Mazda 929 • Mazda MX6 • Mercury Grand Marquis • Merkur Scorpio • Merkur XR4Ti • Mitsubishi 3000GT • Mitsubishi Eclipse • Mitsubishi Galant • Mitsubishi Mirage • Nissan 200SX • Nissan 240SX • Nissan Altima • Nissan Maxima • Nissan Pulsar • Nissan Sentra • Oldsmobile Achieva • Oldsmobile Bravada • Oldsmobile Calais • Oldsmobile Cutlass Ciera • Oldsmobile Cutlass Cruiser Wagon • Oldsmobile Cutlass Supreme • Oldsmobile Firenza • Oldsmobile Omega • Plymouth Laser • Pontiac 6000 • Pontiac Fiero • Pontiac Firebird • Pontiac Grand Am • Pontiac Grand Prix • Pontiac Sunbird • Pontiac Trans Am • Porsche 911 • Renault Fuego • Saturn SC1/SC2 Coupe • Saturn SL2 • Sedan • Saturn SW2 Wagon • Subaru DL • Subaru GL • Subaru Impreza • Subaru Justy • Subaru Legacy • Subaru Loyale • Subaru XT • Suzuki Swift • Toyota Camry • Toyota Celica • Toyota Corolla • Toyota Cressida • Toyota Land Cruiser • Toyota Paseo • Toyota Pick-Up T-100 • Toyota Supra • Toyota Tercel • Volvo 2400 DI/GL

Vehicle List Universal Hook for vertical linkage:

Alfa Romeo GTV • AMC Eagle • Audi 4000S • Audi 5000S • Audi Quattro • BMW 316 • BMW 318 • BMW 320 • BMW 325 • BMW 520 • BMW 525 • BMW 535 • Buick Electra • Buick LeSabre • Buick Park Avenue • Buick Riviera • Cadillac Brougham • Cadillac Deville • Cadillac Eldorado • Cadillac Fleetwood • Chevrolet C20 • Chevrolet C30 • Chevrolet Caprice • Chevrolet Chevette • Chevrolet G10 • Chevrolet G20 • Chevrolet G30 • Chevrolet Impala • Chevrolet Monte Carlo • Chevrolet Nova • Chrysler Concord • Chrysler LHS • Chrysler New Yorker • Citroen AX • Citroen BX • Citroen XM • Citroen ZX • Citroen Xantia • Daihatsu Applause • Daihatsu Charade • Daihatsu Cuore • Daihatsu Domino • Daihatsu Rocky • Dodge BR 1500 Truck • Dodge BR2500 Truck • Dodge BR 3500 Truck • Dodge Intrepid • Dodge Ram Pick-Up • Dodge Monaco • Dodge Neon • Eagle Medallion • Eagle Summit • Eagle Vision • Ferrari GTS • Fiat Cinquecento • Fiat Croma • Fiat Panda • Fiat Tempra • Fiat Tipo • Ford Aerostar • Ford Aspire • Ford Bronco II • Ford Econoline Van • Ford Escort • Ford EXP • Ford Futura • Ford LTD • Ford Mustang • Ford Probe • Ford Ranger • Ford Taurus • Ford Tempo • Ford Thunderbird • Ford Windstar • GMC Jimmy • Honda Accord • Honda Civic • Honda Concerto • Honda Prelude • Hyundai Lantra • Hyundai Pony • Hyundai Sonata • Isuzu Pick-Up • Isuzu Trooper • Jaguar XJ6 • Jaguar XJS • Jeep Grand Wagoneer • Jeep J10/J20 • Jeep Wrangler • Kia Sephia • Lada (alle Typen) • Mazda 121 • Mazda 323 • Mazda 626 • Mazda 929 • Mazda B Pick-Up • Mazda GLC • Mazda GLC Wagon • Mazda RX7 • Mercedes Benz C220 • Mercedes Benz C280 • Mercedes Benz C280 • Mercury Capri • Mercury Cougar/XR7 • Mercury Grand Marquis • Mercury LN7 • Mercury Lynx • Mercury Sable • Mercury Topaz • Mercury Tracer • Mercury Villager • Mercury Zephyr • Mitsubishi Colt • Mitsubishi Galant • Mitsubishi Lancer • Nissan 200SX • Nissan Maxima • Nissan Patrol • Nissan Pick-Up • Nissan Quest • Nissan Stanza • Nissan Terrano • Oldsmobile 88 • Oldsmobile 98 • Oldsmobile Cutlass • Oldsmobile Toronado • Opel Ascona • Opel Astra • Opel Corsa • Opel Kadett • Opel Rekord • Opel Vectra • Peugeot 106 • Peugeot 205 • Peugeot 309 • Peugeot 405 • Peugeot 505 • Plymouth Colt • Plymouth Duster • Plymouth Neon • Pontiac 1000 • Pontiac LeMans • Pontiac Parisienne/Safari • Porsche 924 • Porsche 944 • Renault 5 • Renault 11 • Renault 19 • Renault 21 • Renault Alliance • Renault Clio • Renault Encore • Renault Espace • Renault Laguna • Renault Rapid • Renault Safrane • Renault Twingo • Rover 214 • Saab 900 • Saab 9000 • Seat Ibiza • Seat Malaga • Seat Terra • Seat Toledo • Skoda (alle Typen) • Subaru Impreza • Toyota 4-Runner • Toyota Camry • Toyota Corolla • Toyota Cressida • Toyota Land Cruiser • Toyota Pick-Up DX/SR5 • Toyota Tercel • Toyota Van • VW Golf • VW Golf III • VW Jetta • VW Jetta III • VW Passat • VW Quantum • VW Rabbit • VW Santana • VW Scirocco • VW Vanagon • VW Vento • Volvo 240 DL/GL • Volvo 760

Car Opening Kit "Fully Loaded"

The road-ready, durable, protective canvas case features Velcro straps and pockets to secure all of your tools.

You will find famous "Jim" tools, Under and Over tools, six different wedges, the Auto Sleeve™, the Flex-A-Light™ and more! The Interactive Car Opening Authority® CD and the popular "How To Master Car Opening" instructional CD round out this latest kit.

The Fully-Loaded Kit has been designed to provide a balanced assortment for the serious car opening professional!

Kit includes:

- 14 Car Openers
- 2 Auto Wedges .375" (9.5 mm)
- 2 Auto Wedges .750" (19 mm)
- 1 Air Wedge, AW-99
- 1 Air Wedge, AW-100
- 1 Power Wedge™, PW-100
- 1 Lever Wedge, LW-100
- 1 Car Opening Light, FAL-15
- 1 AutoSleeve™, AS-1
- 1 CD "Interactive Car Opening Authority"
- 1 CD "How to Opening Cars"



Delivery only as a complete set!

Order No. 3721

Car Opener Set "TT2050C"

A comprehensive range of various vehicle opening tools so that no vehicle should be left locked.

Delivery in a custom-made carrier bag with a comprehensive instruction manual in English.



Delivery only as a complete set!

The Car Opener Set contains:

- 31 Tools
- 2 Hardwood Wedges
- 1 Car Opening Light
- 1 Air Wedge
- 1 DVD "Tech Train Video Manual"

Order No. TT2050SC

Car Opening Kit "Ultimate"

An extensive set of various car opening tools, so that no car should stay locked. The kit comes complete in a deluxe, highly durable, custom-made carrying case.

- 20 Car Openers
- 2 Auto Wedges .375" (9.5 mm)
- 2 Auto Wedges .750" (19 mm)
- 1 Car Opening Light
- 1 Pick Set PIP-13
- 1 CD "Interactive Car Opening Authority"

Order No. 3720



Delivery only as a complete set!

Car Opening Light

- First auto light with a lifetime warranty

Features include:

- Knurled aluminum power handle
- 15" (380 mm) coaxial wand
- High intensity krypton bulb using 3 "AA" batteries (not included)
- Reliable On/Off Switch
- Lifetime warranty (excludes bulb & batteries)



Order No. 3770

Suction Cup

Suction Cup with very high suction power. Ideal for opening of cars.

- Powerful and easy to use!
- Diameter: 120 mm

Order No. 6529



Air Wedges

The wedge slides between the vehicle door and the weather stripping on the door frame. Then the pump is squeezed, inflating the wedge and separating the vehicle door from the frame. This provides more than ample room to insert a car opening tool.

- Multiple wedge units can also be used for installing windows and doors and holding doors open while installing door hardware

Air Wedge, 28.9 x 12.4 cm (11.377" x 4.881")

Order No. 1526-BIG

Air Wedge, 15.8 x 14.3 cm (5.629" x 6.22")

Order No. 1526

Air Wedge, 16.8 cm x 15.0 cm (6.61" x 5.90")

The Air Wedge with enclosed hard plastic sheet can easily be inserted into the crack as it is reinforced by a hard plastic sheet inside.

Order No. 1526-CAR

Air Wedge "2 in 1", 24.0 cm x 15.3 cm (9.45" x 6.02")

The special designed unique type and with the enclosed two hardened sheets allows the locksmith creates straight views without fear of damage to the door or window.

Order No. 1526-2-1

Air Wedge, 16.8 cm x 15.0 cm (6.61" x 5.90") + Sleeve

Air Wedge with enclosed hard plastic sheet and sleeve to protect car from scratch.

- Sleeve to protect the car from scratch

Order No. 1526-CAR 2-1



Lever Wedges & Auto Wedges

The Lever Wedge is designed with two pivot points that allow you to spread a door from its frame and then, with a simple push, wedge it open! Once in place the door can be separated farther with the Lever Wedge secondary lever operation.

Lever Wedge with Rubber Bearing
Order No. 3761-0



Auto Wedge, .375" (9.5 mm) maximum thickness
Order No. 3754



Auto Wedge, .750" (19 mm) maximum thickness
Order No. 3755



The wedge with handle makes auto window wedging easier.
Order No. WED1

Tension Tools



Order No. 0777-LKM-TN

Sension Tool "Professional"

This professional Car Tension Tool was especially developed to give an even feeling of the tension. The tip of this robust Tension Tool has two different notches in order to fit the different sized car cylinders. The high flexibility of this tension tool is different to similar tools on the market because it is manufactured out of a special carbon steel material.

Tension Tool Set

Set contains:
Tension Tool A: 3 mm width
Tension Tool B: 2 mm width

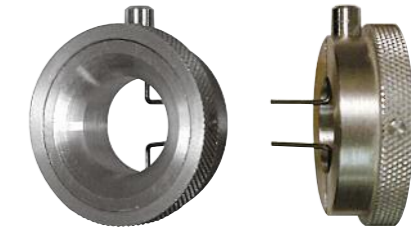


Order No. 215-KPR-SET

Torque & Tension Tool "CAR"

The dual prongs assure even torque, always keeping the plug in proper alignment. The integrated spring activates the tension at the cylinder plug. The longer prongs make it excellent for automotive use.

Order No. 3492E



Gateway™ Tools

Gateway™ Tools act as a third hand to hold open the dust cover on auto door locks. This allows you to have both hands free to pick the lock or extract a broken key. Just insert into the door lock, turn in the direction the shutter opens, and the lock is ready for service (with the gateway securely held out of the way).

- Set with two pieces in different sizes

Order No. 3760



Car-Power Keys

The car power keys are high precision tools made from hardened steel allowing them to resist incredible pressures. These keys are used to forcefully turn and open different car locks.

To use the Car Power Key you need a 10 mm hex nut driver or wrench. (Not included in the delivery!)



Hex nut driver with T-handle
10 mm

Order No. 0510

Car-Power Key for FIAT - LANCIA
(Flat Keys)

Order No. 0511



Car-Power Key for FIAT - ALFA ROMEO - LANCIA
(Flat Keys)

Order No. 0512



Car-Power Key for FIAT - ALFA ROMEO - LANCIA
(Laser Track Keys)

Order No. 0513



Car-Power Key for CITROEN - PEUGEOT
(Laser Track Keys)

Order No. 0514



Car-Power Key for VAG
(Laser Track Keys)

Order No. 0515



Tryout Keys

Jiggler Key Set / Tryout Keys

For many car models with non laser-track car locks. Usually car locks are disc locks. This allows the manipulation with tryout keys/jigglers. Applying tension to the lock the jigglers have to be quickly and repeatedly slid forward and backward inside the lock. At the same time push the jiggle upwards and downwards in the keyway. This will align the discs in the lock to the unlocking position and the lock can be opened.

- **Combines tension tool and pick**
- **Also suitable for new car models**
- **8 Jiggler Keys on key ring**
- **High success rate**
- **Made in Germany**



Order No. 1510

Wafer Lock Pick

Makes fast work of opening drawers, credenzas, file cabinets and more. Almost like having a second key, the wafer lock pick is simple to use and is effective on most single and double-sided wafer style cabinet and cam locks.

- **Good flexibility - Made of high-quality hardened stainless steel**
- **Compact and practical - Weight: 5 gr**



Order No. 4139E

Car Key Jigglers

A set of 10 jiggle keys to help open all kind of cars as well as numerous other locking devices. Combines the tension tool and pick, therefore speeding up and aiding opening techniques.

- **Works on both pin tumbler and wafer mechanisms**



Order No. 0789

ZIEH-FIX® "Little Joe" II Gun Plug Spinner

This robust and durable Spinner is used to spin already opened (with "Little Joe") locks so that the discs cannot fall back into a locking position.

- **Extended version**

The tool is made of high-quality materials and is according to the manufacturer the only "Flipper" worldwide that offers an adjustable rotation strength.

Order No. 0555-RGN-FLP



Jack Master "Little Joe"

Jack Master "Little Joe" BMW Pick Set

Developed to open laser-track car locks of BMW.

Order No. 0555-MJ-BMW-KIT

Jack Master "Little Joe" Opel Pick Set

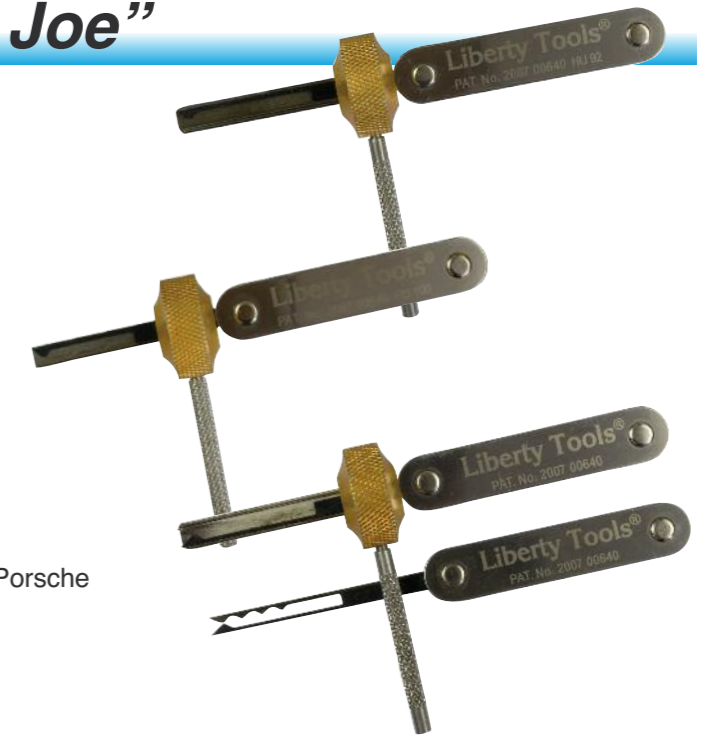
Developed to open laser-track car locks of Opel.

Order No. 0555-MJ-OPEL-KIT

Jack Master "Little Joe" VAG Pick Set

Developed to open laser-track car locks of Audi, Porsche and Volkswagen.

Order No. 0555-MJ-VAG-KIT



Jiggler Laser Key Manipulation Set - EURO 1
Pick Tool Set with tension tool. Comes in a leather case. For German cars with 2 track system. For Audi, Porsche, Volkswagen, Skoda, Seat, BMW

Order No. 0560-M-EU 1 SET

Pick Tool Set "AVP"

- **for Audi, Porsche, Volkswagen (2-track system)**

The "AVP" Pick Tool Set can be used to pick of 2 Track key's.

Set contains:

- "APV" Special Pick (composed of 3 separate sheet metal)
- "APV" Special Tension
- "APV" Special Blade of "Gun Plug Spinner"
- One full set "Gun Plug Spinner" standard blades for tumbler locks

Order No. 0600-RGN



Decoder for "TIBBE"

Version "Basic"



Order No. 0792

This set of tools will work on Ford (6 disc tumblers) and Jaguar (8 disc tumblers) locks. The set contains two decoders with different tip length. The decoder with the short tip is used for models up to the year 2000; the decoder with the long tip is used for models year 2000 onwards.

Note:

A reading of the locking mechanism is not possible! The decoders can only be used to open car door locks.

Version "Deluxe"

The Ford Tibbe Decoder Pick is a modified Wheel Pick which is capable of opening and decoding both the Ford 6 disc and Jaguar 8 disc versions of this locking mechanism.

Once the door has been successfully opened the tool can be used to identify the lock code and a key can be constructed for further entries.

- All connection elements with metric screw thread
- New ergonomic tension handle



Our Own Production!

Order No. 0791E

Magic Pick Scope Sets

Specially designed for Auto Lock openings, it can be used on all wafer locks.

- View into and magnify and illuminate keyway
- Picks wafer locks
- Reads wafer locks
- Inspects locks
- Safe work



Order No. 211-RGN

- Reading and picking of disc-pin cylinder, high security 2 & 4 track Mercedes, BMW, Volvo, Honda, Lexus etc.
- Reading and picking of pin-tumbler mortice and rim cylinder
- Extracts broken key in cylinder
- 360° angle rotary pick-tip



Order No. 211-KPR

Made in Germany!

ZIEH-FIX® "Little Joe" II



Modified version for new vehicles – compatible with the tools of the first generation!



Also for slip clutches suitably!

Through a new process the car lock can now be locked in all directions. An awkward "flipping" of the rotor is no longer necessary.

The set still includes a "Gun Plug Spinner" and a Tension Wrench. Therefore all possibilities are left open, even if the entrances of the locking systems are different.

Order No. 0555-Set

Patent Pending
Europa and the USA

The ZIEH-FIX® "Little Joe" II Complete Set contains:

Order No.	Description	Quantity
0555-99	Shaped Knob for Slider "Little Joe" II	3
0555-88	Knurled Handle for Tension Sleeve "Little Joe" II	1
0555-77	Holder for Flat Slider	1
0555-01-TEN	Tension Sleeve for VAG and BMW 4 Track Locks	1
0555-01-TIP	Slider for VAG Locks until model 03.2002 (HU66)	1
0555-01.2-TIP	Slider for BMW 4 Track Locks (HU58)	1
0555-01.3A-TIP	Slider for VAG Locks from model 03.2002 on, Slider Contour A (HU66)	1
0555-01.3B-TIP	Slider for VAG Locks from model 03.2002 on, Slider Contour B (HU66)	1
0555-04-TEN	Tension Sleeve for BMW 2 Track Locks	1
0555-04-TIP	Slider for BMW 2 Track Locks (HU92)	1
0555-05-TEN	Tension-Sleeve for Opel 2 Track Locks	1
0555-05-TIP	Slider for Opel 2 Track Locks (HU100)	1
0555-06-TEN	Tension Sleeve for Flat Key (Adjustable prongs for different heights of key ways)	1
0555-06-TIP	Slider, 7.6 mm, for Flat Keys, without Holder	1
0555-RGN-FLP	Gun Plug Spinner	1
0777-LKM-TN	Tension Wrench	1
CD-0555	CD "ZIEH-FIX® Kfz-Decoder"	1

Comes in a proven plastic carrying case with foam-lined interior (Order No. 0555-K).

Please note for ordering individual parts:

Tension sleeves are delivered without knurled handles and sliders without shaped knobs! Therefore please order at least one knurled handle and one shaped knob!

Known by
numerous
TV reports!

Turbo Decoder

Turbo decoder for decoding and opening.

- After the opening the operator can read the actual lock code
- The code allows to cut a working key

Turbo Decoder for VAG locks, 1. Generation.

- HU66

Order No. **TURBO DEC. VAG 1**



Turbo Decoder for VAG locks, 2. and 3. Generation.

- HU66

Order No. **TURBO DEC. VAG 2**



Turbo Dekoder for BMW locks

- HU92

Order No. **TURBO DEC. BMW**



Master Key Sets

Master Key Set for VAG

Master Key-Set for VAG (HU66), without handle
28 sets of different Master Keys
(1 set = 2 pcs)

Order No. **880-VAG KEY-SET**



Master Key Set for BMW

Master Key-Set for BMW (HU92), without handle
18 sets of different Master Keys
(1 set = 2 pcs)

Order No. **880-BMW KEY-SET**



Decoder incl. Master Keys

Decoder for VAG-Locks incl. Master Keys

This decoder allows decoding and opening of car lock cylinders of the following manufacturers:

VW, Audi, Seat, Skoda, Ford Galaxy, Porsche

After decoding you can put together a key using the established code and the included Master Keys. To make the key no additional tools or machines are necessary!

Everything is contained in the kit.

Order No. **880-VAG-KPR**



Decoder für BMW 2 Track Locks incl. Master Keys

The decoder allows decoding and opening of BMW 2-track systems (new BMW Models).

After decoding you can put together a key using the established code and the included Master Keys. To make the key no additional tools or machines are necessary!

Everything is contained in the kit.

Order No. **880-BMW2-KPR**



Software für Order No. 880-BMW2-KPR and Order No. 880-VAG-KPR

New software version. Now with USB dongle!
The software's serial number is now on the USB dongle. So you can install the software on several computers. Depending on the computer you want to use you only have to insert the USB dongle.

After the determination of the code with the corresponding decoder the read code is to enter in the programme.

The software converts the code and announces some suggestions of key codes.

One matches!

- With this software the newest automotive locks could be decoded.



Order No. **880-SOFT-KPR**

2-in-1 Picks and Decoder



*2-in-1 Picks and Decoders
are available in
complete or individually
equipped sets!*

Ask for an offer!

Complete-Set
Order No. LS2-1Set

- The 2-in-1 Picks are developed to open and to decode a lock in one processing step.
- Lockpicking and decoding under 3 minutes possible!
- Tension tool, pick and decoder in one tool!
- Every tension tool has especially been developed for the respective lock.
- By drillings in the profile single discs can be picked specifically
- After opening the lock by picking it can be decoded directly!

Profile	Suitable for:	Order No.
B111	GM	LS2-1B111
CH1	Chevrolet-Daewoo	LS2-1CH1
CY24	Chrysler	LS2-1CY24
DAT17	Subaru	LS2-1DAT17
DWO4R	Chevrolet-Daewoo	LS2-1DWO4R
FO38	Ford	LS2-1FO38
Geely	Geely	LS2-1Geely
GM37	GM	LS2-1GM37
GM45	Holden	LS2-1GM45
GT10	Fiat	LS2-1GT10
GT15	Fiat	LS2-1GT15
HON58R	Honda	LS2-1HON58R
HON66	Honda	LS2-1HON66
HU100	Opel	LS2-1HU100
HU100R	BMW	LS2-1HU100R

2-in-1 Picks and Decoder

Profile	Suitable for:	Order No.
HU101	Ford	LS2-1HU101
HU43	Opel	LS2-1HU43
HU46	Opel	LS2-1HU46
HU49	VAG	LS2-1HU49
HU56	Mitsubishi	LS2-1HU56
HU58	BMW	LS2-1HU58
HU64	Mercedes	LS2-1HU64
HU66	VAG	LS2-1HU66
HU83	Citroën / Peugeot	LS2-1HU83
HU87	Subaru	LS2-1HU87
HU92	BMW	LS2-1HU92
HYN15	Hyundai / Kia	LS2-1HY15
HYN16	Hyundai / Kia	LS2-1HY16
HY17	Hyundai / Kia	LS2-1HY17
HY20	Hyundai / Kia	LS2-1HY20
HY20R	Hyundai / Kia	LS2-1HY20R
HYN11	Hyundai / Kia	LS2-1HYN11
HYN7R	Hyundai / Kia	LS2-1HYN7R
HU134	Hyundai / Kia	LS2-1Hyundai
K9	Hyundai / Kia	LS2-1K9
KY14	Hyundai / Kia	LS2-1KY14
MAZ24R	Mazda	LS2-1Mazda
	BMW Mini, MG MGF, Rover 75	LS2-1Mini
MIT11	Mitsubishi	LS2-1MIT11
MIT8	Mitsubishi	LS2-1MIT8
NE66	Volvo	LS2-1NE66
NE71R	Honda	LS2-1NE71R
NE72	Citroën / Peugeot	LS2-1NE72
NE78	Citroën / Peugeot	LS2-1NE78
NSN11	Nissan	LS2-1NSN11
NSN14	Nissan	LS2-1NSN14
	Renault Keycard (left)	LS2-1Renault
	Renault Keycard (right)	LS2-1Renault-A
VAC102	Renault	LS2-1Renault-B
SIP22	Fiat	LS2-1SIP22
TOY2	Toyota	LS2-1TOY2
TOY38R	Toyota	LS2-1TOY38R
TOY40	Toyota	LS2-1TOY40
TOY43	Toyota	LS2-1TOY43
TOY43R	Toyota	LS2-1TOY43R
TOY48	Toyota	LS2-1TOY48
VA2	Citroën / Peugeot	LS2-1VA2T
WT47T	Saab	LS2-1WT47T
YM15	Mercedes	LS2-1YM15
YM28	Opel	LS2-1YM28
YM30	Saab	LS2-1YM30

Pick Tools for Car Locks

- Every tension tool has especially been developed for the respective lock.
- By drillings in the profile single discs can be picked specifically
- Usually a set contains one tension tool and one pick.

Pick for VAG 2 Track Set contains 2 tension tools (for old and new versions of locks) and one pick.	HU66	Order No. SG-PICK-01
Pick for BMW	HU58	Order No. SG-PICK-01.2
Pick for BMW	HU92	Order No. SG-PICK-04
Pick for Opel	HU43	Order No. SG-PICK-05.2
Pick for Opel	HU100	Order No. SG-PICK-05.3
Pick for Ford	HU101	Order No. SG-PICK-06
Pick for Mercedes	HU64	Order No. SG-PICK-07
Pick for Saab	YM30	Order No. SG-PICK-08
Pick for Saab	WT47T	Order No. SG-PICK-08.2
Pick for Hyundai/Kia	HYN7R	Order No. SG-PICK-09
Pick for Lexus/Toyota	TOY48	Order No. SG-PICK-10
Pick for Toyota	TOY40	Order No. SG-PICK-12
Pick for Peugeot/Citroën/MAN	HU83	Order No. SG-PICK-13
Pick for Peugeot/Citroën/Renault	VA2	Order No. SG-PICK-14
Pick for Volvo/Mitsubishi	HU56	Order No. SG-PICK-15
Pick for Volvo	NE66	Order No. SG-PICK-16
Pick for Mercedes	HU39	Order No. SG-PICK-17
Pick for Hyundai/Kia	HYN6	Order No. SG-PICK-18
Pick for Honda	HON66	Order No. SG-PICK-19
Pick for Honda	HON60	Order No. SG-PICK-21
Pick for Peugeot/Citroën/Renault	NE78	Order No. SG-PICK-22
Pick for Mazda	MAZ24	Order No. SG-PICK-23
Pick for Toyota	TOY41	Order No. SG-PICK-24
Pick for Hyundai/Kia	HU134	Order No. SG-PICK-25
Pick for BMW	HU100	Order No. SG-PICK-26
Pick for Nissan	NSN14	Order No. SG-PICK-30

Pick Set for Car Locks "Professional"

- Every tension tool has especially been developed for the respective lock.
- By drillings in the profile single discs can be picked specifically.
- Set contains 25 Picks



Order No. SG-PICKS-SK

Set contains:

Order No. SG-PICK-01	Pick for VAG 2 Track (HU66) Set contains 2 tension tools (for old and new versions of locks) and one pick
Order No. SG-PICK-01.2	Pick for BMW (HU58)
Order No. SG-PICK-04	Pick for BMW (HU92)
Order No. SG-PICK-05.2	Pick for Opel (HU43)
Order No. SG-PICK-05.3	Pick for Opel (HU100)
Order No. SG-PICK-06	Pick for Ford (HU101)
Order No. SG-PICK-07	Pick for Mercedes (HU64)
Order No. SG-PICK-08	Pick for Saab (YM30)
Order No. SG-PICK-08.2	Pick for Saab (WT47T)
Order No. SG-PICK-09	Pick for Hyundai/Kia (HYN7R)
Order No. SG-PICK-10	Pick for Toyota/Lexus (TOY48)
Order No. SG-PICK-12	Pick for Toyota (TOY40)
Order No. SG-PICK-13	Pick for Peugeot/Citroën/MAN (HU83)
Order No. SG-PICK-14	Pick for Peugeot/Citroën/Renault (VA2)
Order No. SG-PICK-15	Pick for Volvo/Mitsubishi (HU56)
Order No. SG-PICK-16	Pick for Volvo (NE66)
Order No. SG-PICK-17	Pick for Mercedes (HU39)
Order No. SG-PICK-18	Pick for Hyundai/Kia (HYN6)
Order No. SG-PICK-19	Pick for Honda (HON66)
Order No. SG-PICK-21	Pick for Honda (HON60)
Order No. SG-PICK-22	Pick for Peugeot/Citroën/Renault (NE78)
Order No. SG-PICK-23	Pick for Mazda (MAZ24)
Order No. SG-PICK-24	Pick for Toyota (TOY41)
Order No. SG-PICK-25	Pick for Hyundai/Kia (HU134)
Order No. SG-PICK-26	Pick for BMW (HU100)
Order No. SG-PICK-30	Pick for Nissan (NSN14)

*Each pick
also available
separately!*



ZIEH-FIX® Opening System “Lockmaster®”

An “Rimowa®” aluminium case offers optimal protection of the equipment through its special layer construction of aluminium, wood, polystyrene, a plastic tub and strengthened edges. Two strong wheels and a telescope handle ensure a comfortable transport. Additionally there are two lowered grips inside the case.

The case's waterproof system protects the equipment from water, humidity and dust. The inside tray is sealed tightly by a gasket plate so that the content is hermetically sealed.

The most important tools and aids for emergency openings in the domestic area are included in this set sorted in two trays made out of tough foamed material. The upper tray can easily be taken out.

Set contains:

- Tools for opening closed doors over metal fitting or door latch
- Lever Picks for Chubb-Locks and Warded Locks
- Extraction and breaking tools for breaking off or plug extracting of locks
- Milling cutter to open high-quality locks
- Pick Set
- ZIEH-FIX® Electro Pick for non-destructive opening
- Tilting Window Opener for opening windows over the window handle
- Door Handle Tool “LOCK-OFF” allows opening of closed doors through the spy hole



• **This is the Tool for the special requirements of the “Lockmaster”!**

Opening System with Straight Grinder, Makita, 220 Volt

Order No. 1120



upper tray

Opening System with Cordless Straight Grinder, Makita, 18 Volt

Order No. 1120-AKKU



lower tray

ZIEH-FIX® Öffnungssystem “Lockmaster®”

Qty.	Order No.	Description
1	0755	Key Turner, right and left
1	0803	Bit Holder Adapter for bits 1/4"
1	0810	Bit-Holder with T-handle for bits 1/4"
1	CD-1001	Video on CD-ROM “ZIEH-FIX® Extraction Tools”
1	1001	ZIEH-FIX® “Premium”
1	1002	ZIEH-FIX®
1	1003	ZIEH-FIX® Plug Extractor Plate for Profile Cylinders
1	1004	ZIEH-FIX® Plug Extractor Plate for Round Cylinders
1	1005-RA.PROX	Proxxon-Speeder Ratchet, 17/19 mm
1	1061-E	Cutting- and Lubricating Spray, 100 ml
1	1067	Universal Key for Profile Cylinder with square drive
1	1068	Universal Key for Profile Cylinder without square drive
1	1071	T-bar Wrench (Socket), short, 17.0 mm
1	1072	Pointed Pliers, straight
1	1074	Screw Driver 1.2 x 7 x 125 mm
1	1079	Door Latch Opening Spatula
1	1085	Door Latch Opening Needle Set
1	1086	Door Handle Tool “LOCK-OFF”
1	1087-A	Dismantling Pliers
1	1087-B	Rocker Lever
1	1094	ZIEH-FIX® Door Fitting Lifter
1	1096	ZIEH-FIX® Door Square, 8 mm for 72 mm distance
1	1096-FH	ZIEH-FIX® Door Square, 9 mm
1	1097	ZIEH-FIX® Door Square, 10 mm for 92 mm distance
1	1098	Door Latch Opening Cards Set
2	1202-50	ZIEH-FIX® Pull Screw “Extra”, 50 pieces, 4.2 mm diameter
2	1203-50	ZIEH-FIX® Pull Screw “Super”, 50 pieces, 4.8 mm diameter
2	1204-50	ZIEH-FIX® Pull Screw “Spezial”, 50 pieces, 5.5 mm diameter
3	1301	Profile Cylinder 30/30 mm
1	1402	Bit Set, 1/4", c/w 9 bits with magnetic bit extension
2	1403	Bit, 1/4", Screw-Driver, torx, TI-coated, Tx20
1	1403-ESH	Screw-driving adapter for the special pull-screws
2	1602	Drill Bit, TI-Coated Tip, 1.0 mm diameter
1	1627	Drill Bit, TI-Coated Tip, 3.5 mm diameter
1	1692	Drill Bit, TI-Coated Tip, 10.0 mm diameter
1	1700	Straight Grinder, Makita, Mod. 906, 220 Volt or alternatively
1	1780	Cordless Straight Grinder, Makita, Mod. BGD800RFE, 18 Volt
2	1711	Burr, 6.0 mm diameter, 60 mm Length
1	1720-A	Burr (HSS) for Aluminium, 6.0 mm diameter, 50 mm Length
1	1821E	Lever Picks, Set “K” for Chubb-Locks
1	1825	Lever Picks, Set “O” for Warded and Antique Locks
1	3055	Book “Impressionstechnik”, German
1	3280E	Pick Set “2000”
1	3498E	Torque & Tension Tool
1	3501E	Plug Spinner “Flipper”
1	3505	Tilting Window Opener, Complete Kit
1	3597	ZIEH-FIX® Electro Pick incl. Charger
1	3598	ZIEH-FIX® Electro Pick Tension Tool Set
1	3620	ZIEH-FIX® Pick Needle Set “Novum”
1	3816	Key File Set in Plastic Case
1	CD-4000	Video on CD-ROM “ZIEH-FIX® Electro Pick”



ZIEH-FIX® Opening System "112"



- Also available through fire brigade stockists
- Tested by many fire brigades
- Irreplaceable in daily use

We assembled this tool set to meet the special requirements of rescue teams.

An aluminium case offers optimal protection of the equipment through its special layer construction and strengthened edges.

The most important tools and aids for emergency openings in the domestic area are included in this set sorted in two trays made out of tough foamed material. The upper tray can easily be taken out.

Don't compromise – work with the original ZIEH-FIX® Tools.

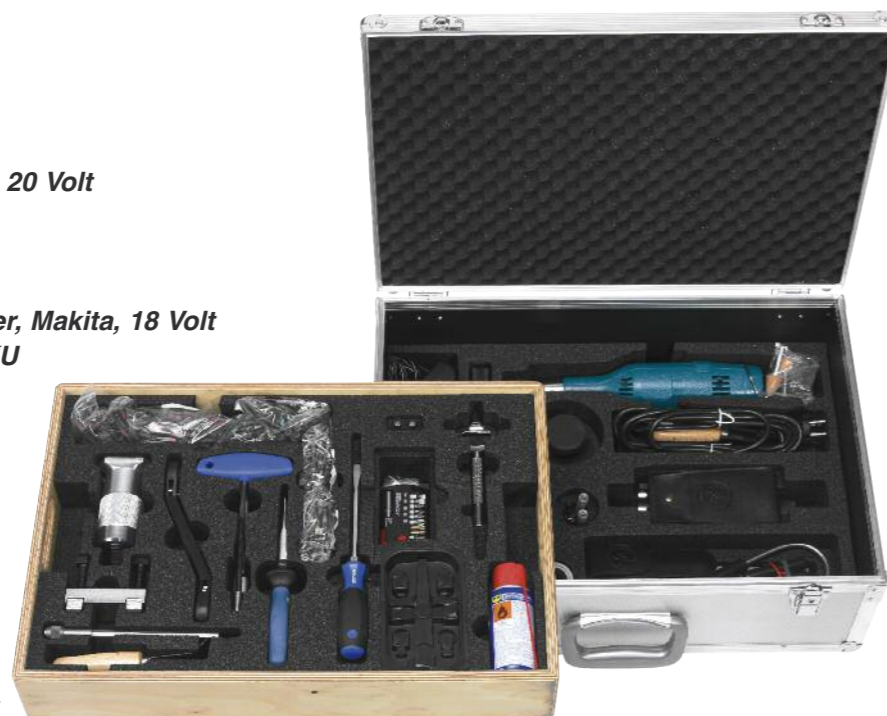
A set of the most important opening tools for rapid use in the domestic area.

Set contains:

- Tools for opening closed doors over metal fitting or door latch
- Lever Picks for Chubb-Locks and Warded Locks
- Extraction and breaking tools for breaking off or plug extracting of locks
- Milling cutter to open high-quality locks
- Extractor Set
- ZIEH-FIX® Electro Pick for non-destructive opening
- Tilting Window Opener for opening windows over the window handle
- Door Handle Tool "LOCK-OFF" allows opening of closed doors through the spy hole

**Opening System
with Straight Grinder, Makita, 20 Volt
Order No. 112F**

**Opening System
with Cordless Straight Grinder, Makita, 18 Volt
Order No. 112F-AKKU**



upper tray

ZIEH-FIX® Opening System "112"

Content:

Qty.	Order No.	Description
1	0803	Bit Holder Adapter for bits 1/4"
1	0810	Bit-Holder with T-Handle for bits 1/4"
1	1084-E MPZ	Power Cracker "Master Professional"
1	CD-1001	Video on CD-ROM "ZIEH-FIX® Extraction Tools"
1	1002	ZIEH-FIX®
1	1005	ZIEH-FIX® "Bell"
1	1005-RA.PROX	Proxon-Speeder Ratchet, 17/19 mm
1	1061-E	Cutting- and Lubricating Spray, 100 ml
1	1067	Universal Key for Profile Cylinder with square drive
1	1068	Universal Key for Profile Cylinder without square drive
1	1071	T-bar Wrench (Socket), short, 17.0 mm
1	1072	Pointed Pliers, straight
1	1074	Screw Driver 1.2 x 7 x 125 mm
1	1079	Door Latch Opening Spatula
1	1085	Door Latch Opening Needle Set
1	1094	ZIEH-FIX® Door Fitting Lifter
2	1096	ZIEH-FIX® Door Square, 8 mm, for 72 mm distance
1	1096-FH	ZIEH-FIX® Door Square, 9 mm
2	1097	ZIEH-FIX® Door Square, 10 mm, for 92 mm distance
1	1098	Door Latch Opening Cards Set
2	1202-50	ZIEH-FIX® Pull Screw "Extra", 50 pieces, 4.2 mm diameter
2	1203-50	ZIEH-FIX® Pull Screw "Super", 50 pieces, 4.8 mm diameter
2	1204-50	ZIEH-FIX® Pull Screw "Spezial", 50 pieces, 5.5 mm diameter
1	1402	Bit Set, 1/4", c/w 9 bits with magnetic bit extension
2	1403	Bit, 1/4", Screw-Driver, torx, TI-coated, Tx20
1	1403-ESH	Screw-driving adapter for the special pull-screws, 1/4", with Bit Tx20
1	1700	Straight Grinder, Makita, Mod. 906, 220 Volt or alternatively
	1780	Cordless Straight Grinder, Makita, Mod. BGD800RFE, 18 Volt
2	1711	Burr, 6.0 mm diameter, 60 mm Length
1	1720-A	Burr (HSS) for Aluminium, 6.0 mm diameter, 50 mm Length
1	1821E	Lever Picks, Set "K" for Chubb-Locks
1	1825	Lever Picks, Set "O" for Warded and Antique Locks
1	3290E	Extractor Set "2000"
1	3498E	Torque & Tension Tool
1	3501E	Plug Spinner "Flipper"
1	3505	Tilting Window Opener, Complete Kit
1	3597	ZIEH-FIX® Electro Pick incl. Charger
1	3598	ZIEH-FIX® Electro Pick Tension Tool Set
1	3620	ZIEH-FIX® Pick Needle Set "Novum"
1	CD-4000	Video on CD-ROM "ZIEH-FIX® Electro Pick"



ZIEH-FIX® Emergency Opening Backpack



This light modular rescue backpack with a big front bag, reflex stripes and extra sturdy zipper has a vast capacity.

Measures: approx. 520 x 400 x 280 mm

Order No. 112-Notöffnung

All in all the backpack holds 6 detachable accessory/module bags in different colours and sizes with transparent lids for a better overview.

• **Backpack without content!**



Modules for Emergency Opening Backpack

Module 1: *Tearing with "Bell"*

Content:

- 1 pc. Order No. 1005
- 1 pc. Order No. 1005-RA-Prox
- 1 pc. Order No. 1202-10
- 1 pc. Order No. 1203-10
- 1 pc. Order No. 1204-10
- 1 pc. Order No. 1205-10
- 1 pc. Order No. 1003
- 1 pc. Order No. 1004
- 1 pc. Order No. 0810
- 1 pc. Order No. 1402
- 1 pc. Order No. 1077
- 1 pc. Order No. 1200
- 1 pc. Order No. 1061-E



Order No. 112-Notöffnung-M1

Module 2: *Tearing with "ZIEH-FIX"*

Content:

- 1 pc. Order No. 1002
- 1 pc. Order No. 1005-RA-Prox
- 1 pc. Order No. 1202-10
- 1 pc. Order No. 1203-10
- 1 pc. Order No. 1204-10
- 1 pc. Order No. 1003
- 1 pc. Order No. 1004
- 1 pc. Order No. 0810
- 1 pc. Order No. 1402
- 1 pc. Order No. 1077
- 1 pc. Order No. 1061-E



Order No. 112-Notöffnung-M2

Module 3: *Breaking*

Content:

- 1 pc. Order No. 1084-Pull
- 1 pc. Order No. 0810
- 1 pc. Order No. 1402
- 1 pc. Order No. 1077
- 1 pc. Order No. 1061-E



Order No. 112-Notöffnung-M3

Module 4: *Door Latch Opening Tools*

Content:

- 1 pc. Order No. 1098 AGE
- 1 pc. Order No. 1085
- 1 pc. Order No. 1076
- 1 pc. Order No. 1079-C
- 1 pc. Order No. 1078-V



Order No. 112-Notöffnung-M4

Unlocking Tool Box “Fire Brigade”

- **Standard: DIN 14800-SWK**

This norm applies to an unlocking tool box containing door and window opening tools which is standard equipment on fire engines and often used in operation.

The tools are kept in a stack-up transportation box out of aluminium (DIN 14880).

The light metal alloy shows high strength and corrosion resistance. Special edges allow easy stacking of trays.

- **Referring to DIN 14800-SWK we have supplemented this tool box with further useful tools.**



Order No. 112-DIN

The set contains:

Qty.	Order No.	Description
1	0810	Bit-Holder with T-handle for bits 1/4"
1	1003	ZIEH-FIX® Plug Extractor Plate for Profile Cylinders
1	1005	ZIEH-FIX® “Bell”
1	1005-RA.PROX	Proxxon-Speeder Ratchet, 17/19 mm
1	1061-E	Cutting- and Lubricating Spray, 100 ml
1	1068	Metal Universal Key for Profile Cylinder without square drive
1	1076	Cork Screw Door Latch Retractor Set
1	1079	Door Latch Opening Spatula
1	1085-D-SET	Door Latch Opener Set Wires with Handle, 1.5 mm diameter and 1.75 mm diameter
1	1094	ZIEH-FIX® Door Fitting Lifter
1	1096	ZIEH-FIX® Door Square, 8 mm, for 72 mm distance
1	1096-FH	ZIEH-FIX® Door Square, 9 mm
1	1097	ZIEH-FIX® Door Square, 10 mm, for 92 mm distance
1	1202-50	ZIEH-FIX® Pull Screw “Extra”, 50 pieces, 4.2 mm diameter
1	1203-50	ZIEH-FIX® Pull Screw “Super”, 50 pieces, 4.8 mm diameter
1	1204-50	ZIEH-FIX® Pull Screw “Spezial”, 50 pieces, 5.5 mm diameter
1	1301	Profile Cylinder 30/30 mm
1	1402	Bit Set, 1/4", c/w 9 bits with magnetic bit extension
1	1403	Bit, 1/4", Screw-Driver, torx, TI-coated, Tx20
1	1403-ESH	Screw-driving adapter for the special pull-screws, 1/4", with Bit Tx20
1	3505	Tilting Window Opener, Complete Set

ZIEH-FIX® Opening System “Basic”

The ZIEH-FIX® Opening System “Basic” is available in **three variants** with different contents:

Order No. 1130-A “Basic” Equipment

Order No. 1130-B “Basic” Equipment plus 1 Stück Order No. 1700 MAKITA Geradschleifer, 220 Volt

Order No. 1130-C “Basic” Equipment plus 1 Stück Order No. 1780 MAKITA Akku-Geradschleifer, 18 Volt



“Basic”-Equipment in an aluminium case:
Alu case: 29 liter
Dimensions (W/D/H): 45.7 x 31.7 x 26.2 cm



The “Basic” Equipment contains:

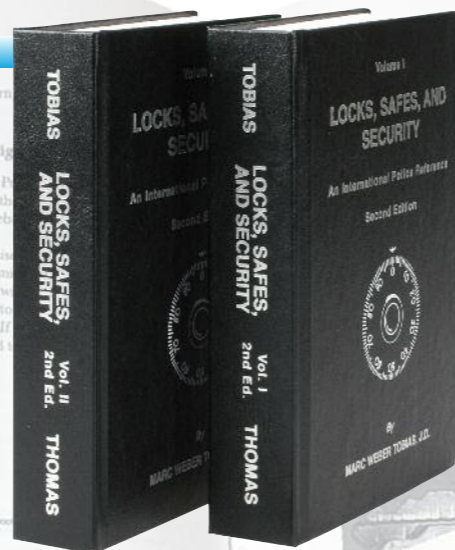
Quantity	Order No.	Description
1	0785	“Micro” Jigglers
1	0786	“Mini” Jigglers
1	0789	“Car Key Jigglers” Jigglers
1	0810	Bit-Holder with T-Handle for bits 1/4"
1	1003	ZIEH-FIX® Plug Extractor Plate for Profile Cylinder Locks, 14.7 mm dia.
1	1005	ZIEH-FIX® “Bell”
1	1005-G	ZIEH-FIX® “Bell”: Adhesive Rubber Protection Pads, 6 pieces
1	1005-RA.PROX	Proxxon-Speeder Ratchet, Width across flats 17 and 19
1	1061-E	Cutting- and Lubricating Spray, 100 ml
1	1062	Graphite
1	1068	Metal Universal Key for Profile Cylinder without square drive
1	1072	Pointed Pliers, straight
1	1074	Screw Driver, 1.2 mm x 7 mm x 125 mm
1	1076-B	Cork Screw Door Latch Retractors, specially big
1	1078-V SET	Opener for Panic Doors, Set
1	1079-B	Door Latch Opening Glider, size 20 mm
1	1084-E MPZ	Power Cracker “Master Professional” for Profile Cylinder
1	1085	Door Latch Opening Needle Set
1	1096	ZIEH-FIX® Door Square, 8 mm, for 72er distance
1	1096-FH	ZIEH-FIX® Door Square, 9 mm
1	1097	ZIEH-FIX® Door Square, 10 mm, for 92er distance
1	1098 AGE	Door Latch Opening Cards “Super Mica”
1	1098-A AGE	Handle for Door Latch Opening Cards with thickness 0.35 mm, Model White
1	1098-B AGE	Handle for Door Latch Opening Cards with thickness 0.5 mm, Model Black
1	1130-K	ZIEH-FIX® Aluminium Carrying Case, without content
1	1200	Supporting Washer for ZIEH-FIX® Pull-Screws, 5 pieces
1	1202-50	ZIEH-FIX® Pull Screw “Extra”, 50 pcs., 4.2 mm dia.
1	1203-50	ZIEH-FIX® Pull Screw “Super”, 50 pcs., 4.8 mm dia.
1	1204-50	ZIEH-FIX® Pull Screw “Spezial”, 50 pcs., 5.5 mm dia.
2	1205-10	ZIEH-FIX® Pull Screw “Pittbull”, 10 pcs., M6 dia.
1	1402	Bit Set, 1/4", c/w 9 bits with magnetic bit extension
1	1403-ESH	Screw-Driving Adapter, 1/4", with Bit Tx20
1	1821E	Lever Pick Set “K”, for Chubb Locks
1	1825	Lever Pick Set “O”, for Warded and Antique Locks
1	3270E	LOCKMASTER® Pick Set “Novice”
1	3290E	LOCKMASTER® Extractor Set
1	3505	ZIEH-FIX® Tilting Window Opener, Complete Set

Locks, Safes and Security

Marc Weber Tobias

- **International Police Reference**
- **2. Edition**
- **1440 Pages**
- **Now in 2 convenient sized manuals for easy handling.**
- **English version only!**

Order No. Buch-LSS+



LSS+ Electronic Infobase, Marc Weber Tobias

- **English version only!**

LSS+ is the electronic Infobase supplement to Locks, Safes, and Security, Second Edition, published by Charles C. Thomas (December, 2000).

It allows for instant access to the information contained within the hardbound edition of the book. The materials within LSS+ provide enhanced graphics as well as extensive multimedia to complement the text.

More than 4000 Images and over 30 hours of audio and video have been added to the Infobase.

Depending upon the security level, the LSS+ collection contains additional disks that are identified by their access rights, and are color-coded:

LSS100 (green) for Public access;
LSS200 (yellow) for Locksmiths;
LSS300 (red) for law enforcement and government agencies;

LSS400 (blue) Alarms; and
LSS500 (orange) D.A.M.E (Defense Against Methods and Entry course).

Your computer should meet the following minimum hardware and software requirements: Pentium II, 200 Mhz. with 64 MB of ram. You should be running Windows 98 or later OS, and must have Windows Media Player Version 7 or higher, and Microsoft Word 97 or later release. Your CD Rom player should be a minimum of 4x speed.

Collection "Locksmith"

- **An electronic infobase for locksmiths.**

Collection "Locksmith" includes:

- LSS+
LSS101; LSS102
LSS201; LSS202; LSS203; LSS204; LSS205; LSS206

Order No. CD-LSS-LOCKSMITH



Locks, Safes and Security

Collection "D.A.M.E."

- **Defense Against Methods of Entry course**

"Defense Against Methods of Entry course" includes: LSS501 and LSS502

The LSS+ 500 series of disks is part of the Defense Against Methods of Entry course, conducted by Harry Sher.

Supplemental material is contained within the full Version of LSS+. You may upgrade your LSS+ license to the Locksmith or Government Version, with a credit applied for the purchase price. You may access the video files on this disk directly, or through the main LSS+ Infobase. You must have Windows Media Player Version 7 or higher in order to view and play the video and MP3 audio files on the LSS+ CD ROM.

Order No. CD-LSS-DAME



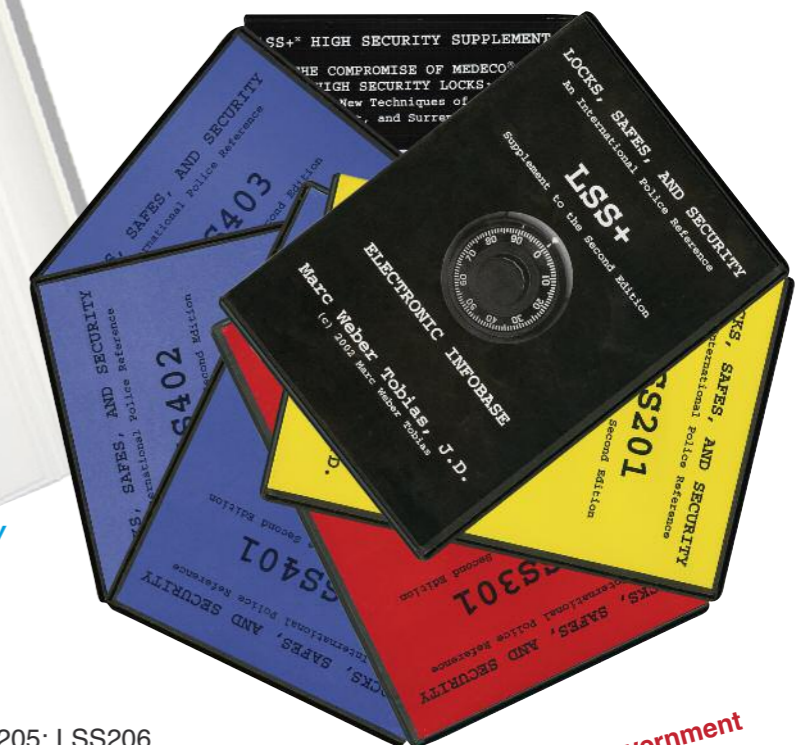
Collection: "Government"

- **An electronic infobase for law enforcement and government.**

Collection "Government" includes:

- LSS+
LSS101; LSS102
LSS201; LSS202; LSS203; LSS204; LSS205; LSS206
LSS301; LSS302; LSS303; LSS304; LSS305
LSS401; LSS402; LSS403;
LSS501; LSS502

Order No. CD-LSS-GOVERNMENT



Available to Government Agencies only!
Documentary proof is required!

Books

Our library holds a series of manuals concerning professional opening techniques. All our technical handbooks are written comprehensively.



- **The books show careful and detailed drawings/photos of different sides of the objects.**

“Easy Picking”

- **An Excellent Training Guide**
- **Easy to Understand**
- **Step by Step Instructions**
- **Full Colour Instructions**
- **Simple Application**
- **Practice Tips & Tricks**

The book is available in several languages:

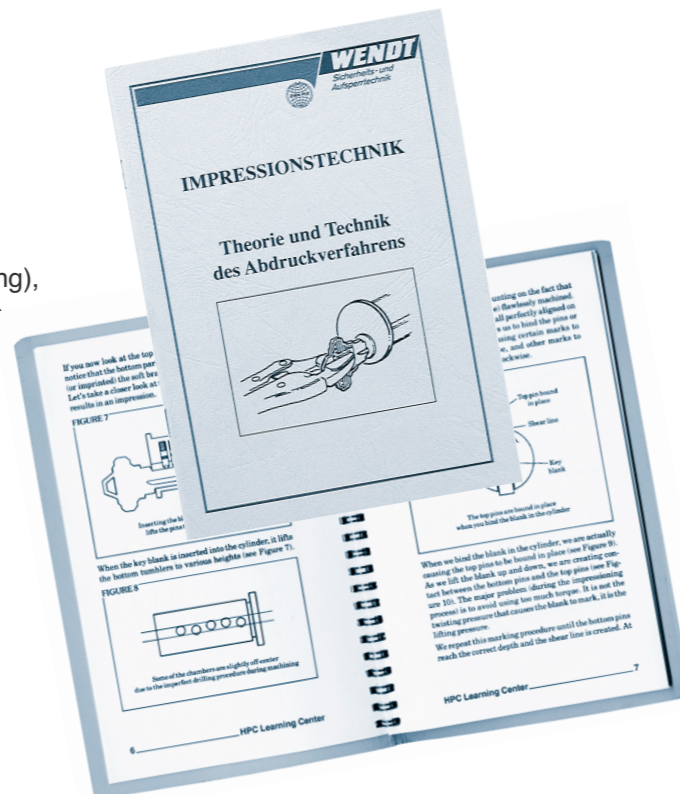
German	Order No. Buch-Souber-1-D
English	Order No. Buch-Souber-1-E
French	Order No. Buch-Souber-1-FR
Italian	Order No. Buch-Souber-1-I
Spanish	Order No. Buch-Souber-1-S

“Basic Impressioning”

This book explains the fundamental theories and methods for making a key with this method. The proper technique for blank preparation (spacing), obtaining marks and the ability to recognize marks are covered in detail.

Basic Impressioning, German
Order No. 3055

Basic Impressioning, English
Order No. 3050



Books

“Impressioning”

Oliver Diederichsen

In his book “Impressioning – analytical view, technical procedure, forensic report” the author gives a current overview of the impressioning technique. With this method of manufacturing a duplicate key the key is filed out of a blank fitting the lock.

Step-by-step instructions in words and high quality colour pictures show how to make impression marks on key blanks and where to remove material on the key blank e.g. by filing to replicate a locking. In the book the main emphasis is on describing the impressioning procedure for pin locking cylinders and vehicle disc locking systems.

In one chapter with illustrations of SEM shots (SEM: scanning electron microscope) of the GÖTH GmbH Forensic Testing Laboratory it is made clear that the copied keys leave marks in the lock cylinders and these can be proven forensically.

According to the author this book is intended for locksmith, who would like to use the impressioning technique professionally as well as persons and institutions such as expert witnesses, court of law, police or assurer who want to be informed about current opening techniques.



The book in format DIN A4 explains the topic “Impressioning” on over 100 pages with many colored illustrations. Suitable for beginners and professional users.

German **Order No. 3054**

English **Order No. 3054-GB**

“Schloß und Schlüssel”

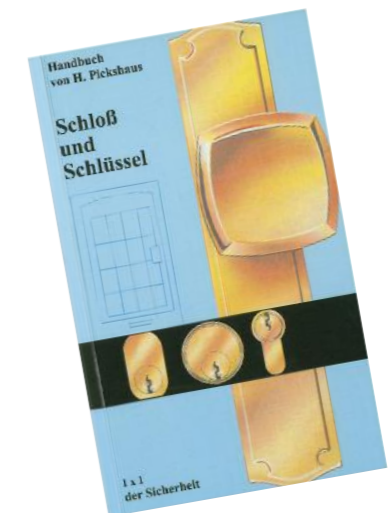
Heinz Pickshaus

Basics of the security engineering of locks and keys.

A manual for: Security officers of the police, Security advisers of the German economy, Hardware specialised trade / workman, Planning department and building control offices / authorities / architects. The book in format 19 x 11,5 cm explains the topic “locks and keys” on over 140 pages with many illustrations. Suitable for beginners and professional users.

Issued: September 1983, German version only!

German **Order No. Buch-Pickshaus 1**



Books

“Safe and Vault Manuals”

- **A one-off reference book for the serious safe and vault technician.**

The most common number combination locks and locks are pictured true to scale. With the help of the books the expert can locate drilling points and emergency lockings and they are invaluable as reference for various manipulation techniques

Ed Willis, Safe & Vault Manual, Volume I

English version only!

Order No. EDW1001SET

Volume I contains drawings of domestic safes and vaults, plus imported safes from 'B' and 'C' rated to TL-15 & TL-30 money chests.

Some of the safes and locks included are:

Amsec, Armor, Diebold, Gary, H.H.M., LaGard, Major, Meilink, Star, S&G, Yale

Ed Willis, Safe & Vault Manual, Volume II

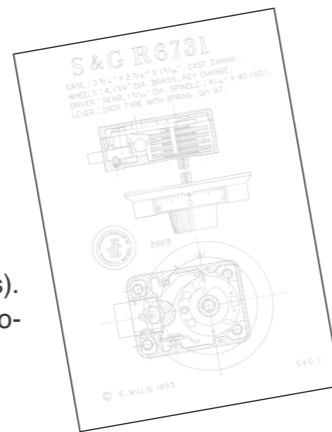
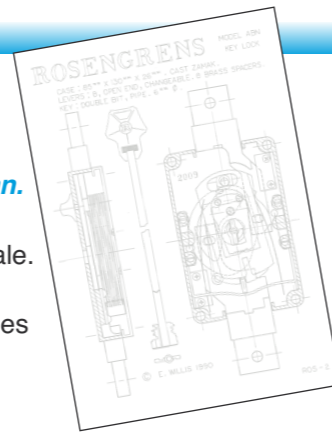
English version only!

Order No. EDW2001SET

Volume 2 includes 128 drawings (40 locks - 31 key locks & 9 combination locks). Information on operation, changing combination or keys is included where appropriate. Also included are 15 full size door drawings on 11"x17" fold-out pages.

Brands included:

Bernadini, Bischoff, Chubb, Fichet, I.S.M., Mauer, Tann



“Türöffnung”

Frank Hüscher

Product of the book series “The Red Booklets / Training Compactly” 2., revised and extended edition 2010
Paperbacked cover, 88 pages, 73 colored pictures, 25 b/w pictures

German version only!

Order No. Buch-Türöffnung



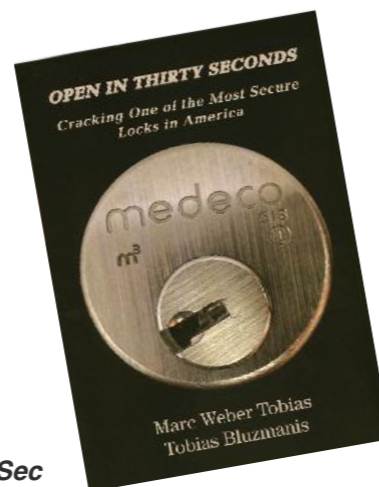
“Open in thirty seconds”

Marc Weber Tobias & Tobias Bluzmanis

Cracking One of the Most Secure Locks in America examines new techniques to compromise Medeco® Biaxial® and m³ high security locks by methods of forced, covert, and surreptitious entry. It is the culmination of an eighteen-month research project by the authors and other security experts. It has resulted in the filing of multiple patents and the ability to pick, bump, and mechanically bypass Medeco® cylinders, sometimes in seconds.

261 pages – many pictures and illustrations
English version only!

Order No.
Buch-OPEN-30. Sec



Video on CD-ROM

“ZIEH-FIX® – Extraction of Locking Cylinders”

Destructive opening techniques:

- Pull-off techniques with ZIEH-FIX®
- Milling of locks and door fittings with rotary grinder
- Accessories and tools

Non-destructive opening techniques:

- Window opener
- Door latch opening needle
- Lever opening tool

- **CD-ROM, 45 minutes, German**

Order No. CD-1000



“ZIEH-FIX® Electro Pick”

Non-destructive opening techniques:

- Electro-Picking of round and profile cylinders
- Accessoris and Tools
- Tubular Pick
- Cross Pick
- Hobbs'sche Hooks
- Door Latch Opening Needle
- Lever Opening Tool
- Window Opener
- Padlock Buster

- **CD-ROM, 40 minutes, German**

Order No. CD-4000

“ZIEH-FIX® Extraction Tools”

Destructive opening techniques with:

- ZIEH-FIX®
- ZIEH-FIX® “Bell”
- ZIEH-FIX® “Premium”

- Pull Screws
- Accessories and tools
- Tips and Tricks

- **CD-ROM, 41 minutes, German**

Order No. CD-1001



“ZIEH-FIX® Decoder”

Film about handling of vehicle decoders:

- ZIEH-FIX® “Little Joe”
 - for Audi, Ford Galaxy, Porsche, Seat, Skoda, VW
 - for BMW (4 Track)
 - for Opel (2 Track)

- Decoder für Tibbe Systems

- **CD-ROM, 32 minutes, German**

Order No. CD-0555

“Safe & Vaults”

Destructive opening techniques:

- Ultrathermic Cutting System
- Drilling and Milling
- Accessories and Tools

Non-destructive opening techniques:

- Dialer
- Hobbs'sche Hook

- **CD-ROM, 35 minutes, German**

Order No. CD-4501



Video on CD-ROM and DVD

“Car Opening – Wendt I”

Our first car opening video. In the video we give a detailed description of the necessary accessories and tools for non-destructive car opening of 44 different vehicles of the most common car makes in Europe.

- **CD-ROM, 70 minutes, German**

Order No. CD-1560

Audi 80, Bj. 93 • Audi 100, Bj. 93 • BMW 520i, Bj. 93 • Fiat Uno, Bj. 93 • Ford Fiesta, Bj. 93 • Ford Escort CL, Bj. 93 • Ford Mondeo, Bj. 93 • Honda Civic, Bj. 93 • Honda Accord ES, Bj. 93 • Honda CRX Coupé, Bj. 93 • Mazda 323, Bj. 91 • Mercedes C180, Bj. 93 • Mercedes 230 E, Bj. 93 • Mercedes 500 SEC, Bj. 89 • Mercedes 500 SL, Bj. 93 • Mercedes 500 SEL, Bj. 93 • Mitsubishi Lancer, Bj. 93 • Nissan Micra, Bj. 93 • Nissan Primera, Bj. 93 • Opel Corsa, Bj. 93 • Opel Astra, Bj. 93 • Opel Vectra, Bj. 93 • Opel Calibra, Bj. 93 • Opel Omega, Bj. 93 • Peugeot 106 XR, Bj. 93 • Peugeot 306 XN, Bj. 93 • Porsche 911/2 Carrera, Bj. 93 • Renault Twingo, Bj. 93 • Renault Clio, Bj. 93 • Renault 19 TSE, Bj. 93 • Renault Espace, Bj. 90 • Seat Marbella, Bj. 93 • Seat Toledo GLX, Bj. 93 • Skoda Forman LX, Bj. 93 • Suzuki Swift Limousine, Bj. 93 • Suzuki Swift Coupé, Bj. 93 • Toyota Corolla, Bj. 93 • Toyota MR 2, Bj. 93 • Volvo 850, Bj. 93 • VW Polo, Bj. 93 • VW Golf II, Bj. 92 • VW Golf III, Bj. 93 • VW Passat, Bj. 92 u. Bj. 93

“Car Opening – Wendt II”

The video shows how the different vehicles can be opened professionally. We explain in detail non-destructive techniques and different methods of entry (door, boot, inside handles and locking systems).

- **CD-ROM, 63 minutes, German**

Order No. CD-1561

Audi A3, Bj.96 • Audi A8, Bj.97 • BMW 323i, Bj. 96 • BMW 528i, Bj. 96 • BMW 728i, Bj.96 • Chrysler Voyager, Bj. 97 • Citroen Xantia, Bj. 96 • Daihatsu Charade, Bj. 97 • Ferrari F355 berlinetta, Bj. 96 • Fiat Brava, Bj. 97 • Fiat Cinquecento, Bj. 97 • Ford Escort, Bj. 96 • Ford Fiesta, Bj. 96 • Ford KA, Bj. 96 • Ford Mondeo, Bj. 96 • Jaguar XJ6, Bj. 96 • Mazda 323, Bj. 97 • Mercedes E230, Bj. 97 • Mercedes SLK, Bj. 97 • Mitsubishi Space Runner, Bj. 96 • Opel Astra, Bj. 97 • Opel Vectra, Bj. 95 • Peugeot 806, Bj. 95 • Porsche 911 Carrera, Bj. 97 • Renault Espace, Bj. 96 u. Bj. 97 • Renault Laguna, Bj. 97 • Renault Megane, Bj. 97 • Renault Rapid, Bj. 97 • Rover 416, Bj. 95 • Seat Cordoba, Bj. 96 • Toyota Carina, Bj. 96 • Toyota Picnic, Bj. 97 • VW Passat, Bj. 96 • VW Polo, Bj. 96 • VW Sharan, Bj. 96

Safe Deposit DVD Volume 1: “Fixed Lever Locks”

This training tape from Tech-Train covers the operation and service procedures for the most common fixed lever locks.

You will learn all you need to know in order to service the S&G 4400 Series, Diebold 175-05 & 175-06, Security (Kumahira) 73-11 & 73-21, Mosler 5700 and LeFebure 7300 Series Locks.

You will also learn how to fit a key to these locks by using depth and spacing keys and with the Framon #2 code machine.

DVD, 58 minutes, English

Order No. 565DVD

Safe Deposit DVD Volume 2: “Resettable Lever Locks”

This training tape from Tech-Train covers the operation and service procedures for the most common resettable lever locks.

You will learn everything you need to know in order to service the S&G 4500 & 4340 Series, Diebold 175-70, Mosler Rapid-Set, and LeFebure 7737 Locks.

DVD, 58 minutes, English

Order No. 566DVD

Safe Deposit DVD Volume 3: “Safe Deposit Box Opening”

This training tape from Tech-Train covers opening procedures for all of the locks covered on the earlier tapes.

You will see close-up views of every step during the opening of each box. Special sections include tips and tricks on nose pulling, door pulling and wedging.

Tape includes a Quick Reference Guide filled with valuable information.

DVD, 49 minutes, English

Order No. 567DVD

Notes

The German version shall be valid in case of major discrepancies between the German and the English version.

1. Validity

- Our terms & conditions are part of all our business contracts with the buyer. They exclude buyer's purchasing conditions which we oppose herewith also for all future business transactions. The buyer certifies to be a fully licensed trader.
- Modifications as well as any assurances/promises need our written confirmation.
- In the event that one or several of these terms of business are invalid wholly or in part, this shall not affect the validity of the remaining provisions.

2. Offers and conclusion

- Our offers are valid and binding for a reasonable time. Interim sales remain unaffected.
- Orders and their changes are only binding for us after our written confirmation. This applies in particular to orders accepted by sales representatives.
- If we request a specific clarification with the aim that only our terms and conditions are part of the contract, this contract will only come into effect once the buyer has given that clarification in the requested way.
- The buyer has to check the content of our written confirmation and has to query discrepancies immediately.

3. Prices

- Prices are being calculated in Euro and refer to items without packaging; they are valid ex works and subject to confirmation. VAT is calculated separately.
- We reserve the right to raise our prices by a corresponding amount resulting from higher material, raw material or supplementary material prices, wage or salary costs, external work or material costs or other subsequent and not included levies.
- For orders of single items, especially those, with special measurements or specific design we might add a minimum supply charge. Our prices are not valid for repeat orders.
- If we offer discounts on our catalogue prices there is no legal claim for granting them or the size of the discounts. This also applies to one off special or bulk discounts or concessionary rates. Our prices and discounts remain subject to change.

4. Change of order, special items

- Change of order before or after our written confirmation can only be accepted if the buyer pays for the additional charges and a sufficient extension of the delivery period is accepted.
- Required tools, equipment, models and assembly items need to be handed over to us without charges and in time. We are not to be held responsible for their deterioration or destruction in the process of usage. Tools, equipment etc and paid for goods not collected in due course can be destroyed by us.
- Moulds, equipment and tools that must be specially made to carry out the order remain our property and will not be handed over, even if the buyer paid for them. We are not obliged to accept follow-up orders.

5. Delivery

- Delivery times will be kept, if possible, but are not binding. Part deliveries are allowed. Also allowed are unavoidable short or excess deliveries due to technical reasons.
- In case of a late delivery we are not liable for compensation and the buyer does not have the right to completely or partly withdraw from the contract. Acts of God or interruption of operation including energy or raw material shortage, mechanical fault, shortage of labour (also due to illness, strikes, lockout and war) will release us from the confirmed delivery time and from the obligation of complete delivery.
- Orders on call are valid for a maximum of 24 months from the date of our confirmation. After that time we are allowed to charge the buyer for the uncollected goods or for the stored materials plus our charges and profit margins.

6. Shipping and packaging

- All goods are forwarded at buyer's cost and risk under our discretion without our obligation for the cheapest or safest shipment. Shipment is always carried out at buyer's risk.
- Packaging will be charged and not taken back. Acceptance by the carrier certifies undamaged packaging.

7. Sales returns

- Sales returns need our prior agreement and the buyer has to pay the return costs. All sales returns must include a copy of the original invoice.
- Please note that videos, books and used tools are non-returnable.
- If the return is due to no fault of ours we will deduct 25% of the refund to cover our costs.

8. Payment

- Our invoices are payable within within 30 days without deduction. Deductions are only allowed if all due payments have been settled. Invoices up to the amount of EUR 25.-- and invoices for installation and wages are payable after receipt without deduction. According to § 366, 367 BGB (German Civil Code) we are entitled to decide how to take payments into account.
- We do not accept bills of exchange.
- The buyer cannot offset payments against disputed claims and cannot withhold payment due to disputed claims or for similar reasons.
- For orders up to an amount of EUR 10.-- we will add a minimum supply charge of EUR 2.50.

9. Default in Payment

- Where payment is delayed by the buyer we are allowed to charge default interest to the amount charged to us for bank loans or according to the interest rates charged by the local banks for unsecured loans at a minimum of 2% above the respective discount rate of the German central bank. We remain the right to claim additional charges.
- All outstanding payments become due immediately in case of default in payment, imminent suspension of payment or negative information about the buyer (especially initiation of insolvency proceedings and foreclosures).

(3) In the afore mentioned cases we are authorised to collect already delivered goods as security without losing the buyer's obligation to pay. Any outstanding production and deliveries might be subject to payment in advance or against some form of security or we will invoice stored materials plus charges and our profit margins. We are also entitled to cancel the contract.

10. Warranty

- We do not guarantee suitability of the offered or delivered goods for the use as intended by the buyer.
- The buyer has to inspect the goods immediately upon receipt especially regarding weight, number of items and outward appearances. In case of justified written notification within 8 days after receipt of goods regarding provable material or performance faults we can either decide to rectify the fault without cost to you or after return of the goods we can either send new goods ex work or credit the amount of the returned goods. All further claims whatever they may be, especially regarding rescission, abatement or compensation in damages - even in cases of special guarantees or promises- are excluded.
- A. Wendt GmbH is not responsible for the use of by A. Wendt GmbH distributed products for illegal purposes.

11. Retention of Title

- Goods are sold under retention of title terms. The ownership of the goods shall not pass to the buyer until full payment of all outstanding claims has been settled, especially only after cash payment of all bills of exchange.
- If the buyer processes the delivered goods to form a new object he does this without obligation for us. The buyer cannot claim ownership according to § 950 BGB. If the goods are combined with other objects not belonging to us, then we acquire partial ownership of the resulting new object in the ratio of the value of goods, to which we retain title to that of the other goods at the time that they are processed. The new product is considered an item under retention of title.
- Only our buyer (becoming the reseller) shall be entitled to sell the goods in a properly conducted business transaction, and by doing so assigns to us all claims accruing to him from the resale of the goods vis-à-vis the buyer. This also applies if these goods are sold together with items not belonging to us in one total price. If goods under retention of title of which we are part-owners are sold, the buyer assigns to us all claims from the re-sale to the amount of our part-ownership in the product. If goods to which we retain title are integrated into the premises of a third party our buyer hereby assigns to us all assignable claims which he may have on the third party or the person concerned for payment, to the value of the goods to which we retain title. This also applies to goods under retention of title to which we have claims on a pro-rata basis. If the customer is entitled to request a mortgage as security acc. to §648 BGB this entitlement passes over to us. The value of the goods to which we retain title is our total claim plus a 20% security margin. We are entitled to determine the ranking of an assigned claim within the total claim.
- Our buyer is only entitled to sell or integrate the goods to which we retain title under the obligation that all claims arising (wages and further remuneration claims) will pass to us according to Para 3. The buyer is not entitled to use the goods to which we retain title in any other way (including pledging or as security). He is also not entitled to use the assigned claims, which he assigned or has to assign to us according to Para.3 in any other way (including their cession, cession as security or their pledging).
- Our buyer is empowered (subject to cancellation) to collect the claims arising from the resale (claims for wages and other remuneration claims). We will not make use of our own right to collect the claims as long as our buyer duly meets all payment obligations. Upon request our buyer has to inform us of the assigned claims and their debtors and notify the debtors of the assignment. We are entitled to inform the debtors about the cession of the claim in our buyer's name. Our buyer has to prevent interventions by third parties (confiscation etc.) into our property (including cession of claim) and to inform us immediately regarding those actions. He has to bear the cost of such prevention.
- If the value of the existing securities exceeds the secured claim by more than 20%, we are obliged to release securities according to the buyer's request and choice. When all claims arising from the business dealings with the buyer have been met, the title to the goods and the assigned claims are transferred to the buyer.

12. Patents

For production according to models, specifications, drawings and designs by the customer he remains solely responsible for observing the law applicable for patents, the Utility Model Law and the Design Law. We will not be liable for any consequences arising from these actions. The buyer indemnifies us against any claims whatsoever made by third parties.

13. Place of Fulfilment/Jurisdiction

- Place of fulfilment and jurisdiction is Bergheim.
- The place of jurisdiction for all legal disputes including any action relating to payment of bills of exchange or cheques, is the regional court relevant for our headquarters. This is also the place if the customer is not generally resident in Germany, moves abroad after concluding the contract, or if his residence or location is not known when the action is brought against him or collection proceedings are brought forward. German law applies exclusively.

14. Closing Provisions

If one or more provisions of these terms of business prove to be wholly or partially void, this does not affect the validity of the remaining provisions.

The above terms of sale apply to all contracts concluded with our customer. Individual arrangements, oral agreements, additional and subsequent contract changes can only be agreed upon with a Managing Director of A. Wendt GmbH. To become binding they need the written confirmation of a Managing Director of A. Wendt GmbH. This is especially the case for promises regarding profitability, exclusive or territory arrangements as well as non-contract returns of delivered goods to which our sales representatives are not empowered and which the company A. Wendt GmbH generally does not allow. Place of jurisdiction for all disagreements arising from this contract is Bergheim.

The application of the United Nations Convention on Contracts for the International Sale of Goods (CISG) is excluded.

Afore mentioned terms of sale are acknowledged and agreed upon and form an integral part of the contract.

We are an official ABRITES-Partner in the German speaking region!

ABRITES Vehicle Diagnostic Interface is used worldwide by locksmith, workshops, surveyors and public authorities and has developed into the market leader for solutions for the automotive area over the last few years.



Main features of ABRITES:

- Key programming
- Vehicle diagnostics
- Reading of fault codes
- Adjustment of control units
- Transponder preparation
- Reading of mileage and vehicle identification number



Available for the current models in Europe:

e.g. for Alfa Romeo, Audi, Bentley, BMW, Chrysler, Citroen, DAF, Dodge, Fiat, Ford, Hyundai, Jeep, Kia, Lancia, Lexus, Maybach, Mazda, Mercedes, Mini, Mitsubishi, Nissan, Opel, Peugeot, Porsche, Renault, Scion, Seat, Skoda, Smart, Suzuki, Toyota, Vauxhall, Volvo, VW

Craftsmen, Fire Brigades, Special Police Forces – Trained By Us.



Dutch course participants



This logo is a guarantee for up-to-date, practical and modern training courses – Specialist courses, which set a European Standard.

Further education becomes more and more important in today's technical working life. Especially in the area of opening techniques you should not experiment but call on a competent partner.

In our training-centre we offer especially tailored and conceived courses for this area.

During the courses we explain in detail the principle of modern locking systems and the necessary opening techniques in realistic practical trainings with modern tools.

Please ask for current course dates.

Training in Saudi Arabia. Mr. A. Wendt demonstrates the opening of vehicles to a bomb de-activation team.



The Different Topics Of Our Courses And The Instructors.



Theodor Schürmann
Josef Schumacher
Jörg Rühle
Sascha Wendt

Opening Techniques And Tools

This one-day course is a quick training for participants who already have a sound knowledge in security technology and have the necessary skills for the opening techniques and would like to get more information on principle and handling of opening tools before buying.

The different locking systems and opening techniques are introduced in theory and hands-on. The main focus is on non-destructive opening techniques using the latest picking methods.

This training is intended for participants who are new to the industry, new business founders and participants who have no or little previous knowledge.

Opening Techniques
And Tools



Impression Techniques, Safes and Vaults

A follow-up course that requires knowledge from the training "Applied Opening Techniques".

In the morning the impression technique is introduced which makes it possible to file a key to open a lock without having the original key at hand.

In the afternoon the importance and the use of number combination locks is discussed, the components and principle are explained and the combination change is trained.

Afterwards we show useful opening tools for the safe and vault area.



Applied Opening Techniques

The intensive training takes place over two days.

A wide range of locking systems in the domestic area will be explained in theory and extensive practical training. Relevant practical training of classic and modern destructive and non-destructive opening techniques will be the focus.



Workshop “Car key programming and repairing“

During these three days of intensive training you will learn the following topics:

Theory:

- Structure of car keys
- Different kinds of car keys
- Structure of plates
- Damage to car keys and subsequent repair
- Damage diagnostic
- Extraction of broken keys in door and ignition locks
- Emulator for the immobilizer
- Equipment for car key repairing
- Different immobilizer systems
- CAN-BUS-System
- K-Line-System
- Programming via the OBD II-connection
- Cloning of car keys
- Transponder programming tool “TagProgrammer“
- Orange 5-Programming tool
- Cutting of car keys
- Difference between electronic and manual key cutting machines for car keys
- Electronic Software: “Instacode“
- Equipment for car key programming
- Car key programming tools for BMW
- Car key programming tools for Mercedes Benz

Practice:

- Repairing of faulty soldering point for remote control keys
- Exchange of faulty microswitches
- Repairing of infrared keys for Mercedes Benz
- Manual programming of remote controls
- Exchange of car cover (especially MB)
- Checking of battery voltage
- Checking of radio signal of keys
- Working with the Orange 5 Eeprom Reading tool
- Working with „TagProgrammer“-Transponder programming
- Cloning of car keys
- Identification of correct transponder in keys
- Key programming with ABRITES via the OBD II-connection
- Vehicle diagnosis with ABRITES via the OBD II-connection
- To identify the correct key blank from the Silca and /or Keyline catalog
- To identify the correct key blank with a key identification software
- Decoding of tubular-lock
- Cutting of tubular keys
- Decoding of FORD Tibbe lock
- Cutting of FORD Tibbe key
- Decoding of a vehicle lock
- Cutting of a car key with an electronic cutting machine
- Cutting of a car key via the lock code
- Cutting of a car key with a manual cutting machine
- Programming of Mercedes Benz Infrared keys via the MBE key programmer 2



Instructors:

Enrico Wendt, Sascha Wendt, Torsten Heger

Workshop time:

9 a.m. to ca. 5 p.m.

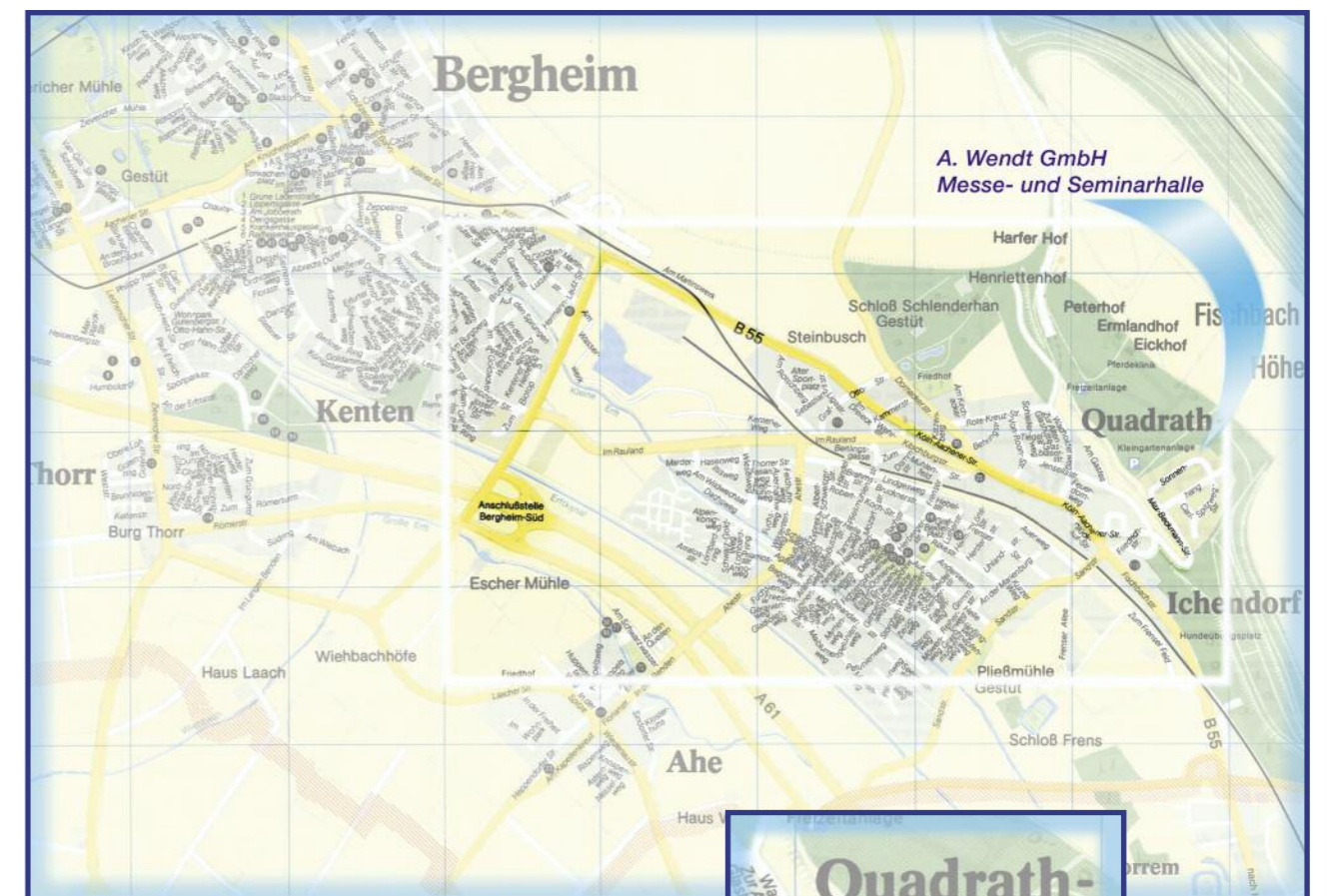


We kindly ask for your understanding that the number of participants is limited to max. 6 participants, due to the high practical content.

The fee for the workshop includes non alcoholic drinks (mineral water, lemonade, cola, coffee), a snack during the lunch break as well as all expendable items, workshop papers and a certificate of participation.

Naturally, you can also book the two workshops topics separately. **Please note that the workshop is in german.**

How to find us.



From Koblenz take the A61, direction Venlo and leave at junction “Bergheim-Süd”. Then turn right and continue for approximately 1 km to the B 55 (Köln-Aachener-Straße).

Turn right here. Stay on the B 55 and pass through the city part of Quadrath-Ichendorf until you see a second-hand car dealer on your right.

Just 100 m past the traffic lights use the left fork. You will see a signpost for several companies based in this industrial area.

Follow this road which will lead uphill to the Max-Beckmann-Straße until the second street on your right called “Sonnenhang”.

Turn right and you will find us at the end of the street on the left.

Sufficient parking spaces are provided in front of our buildings.

Handed over by:



A. Wendt GmbH · Postfach 34 65 · D-50113 Bergheim
Phone +49 (0) 2271 - 79 99 70 · Fax +49 (0) 2271 - 9 20 59
e-Mail: info@zieh-fix.com
www.zieh-fix.com